

BIOMEDICAL SOLUTIONS
FREEZERS
GEFRIERGERÄTE
CONGÉLATEURS

CONTENTS

- WARNING 4**

- PRODUCT DESCRIPTION 7**
 - Before use 7
 - Electrical connection 8
 - Intended use. 9
 - Room climate classes. 9

- REFRIGERATOR COMPONENTS 10**
 - Front & internal view 10
 - Back view 12
 - Sensor placement 14

- INSTALLATION AND START-UP 16**
 - Ventilation guards 16
 - Location and ventilation 17
 - Levelling the appliance 18
 - Battery backup 19
 - Porthole 20
 - Remote alarm function 21

- INTERIOR FITTING 22**

- CONTROLLER. 23**
 - Wizard 23

- FAULT FINDING 25**

- MAINTENANCE 26**

- GENERAL INFORMATION 27**
 - Warranty, spare parts and service 27

- DISPOSAL. 28**

WARNING

As the appliance contains a flammable refrigerant, it is essential to ensure that the refrigerant pipes are not damaged.

The quantity and type of the refrigerant used in your appliance is indicated on the rating plate.

Standard EN378 specifies that the room in which you install your appliance must have a volume of 1m³ per 8 g of hydrocarbon refrigerant used in the appliances. This is to avoid the formation of flammable gas/air mixtures in the room where the appliance is located in the event of a leak in the refrigerant circuit.

WARNING:

Keep ventilation openings in the appliance's cabinet or in the built-in structure clear of obstruction.

WARNING:

Do not use other mechanical devices or other means to accelerate the defrosting process than those recommended by the manufacturer.

WARNING:

Do not damage the refrigerant system.

WARNING:

Do not use electrical appliances inside the refrigerated storage compartment, unless they are of a type recommended by the manufacturer.

WARNING:

Do not expose the appliance to rain, and secure not splashing water when cleaning the floor.

WARNING:

the appliance is not to be used by persons (including children) with reduced physical, sensory or mental capabilities, or lack of

experience and knowledge, unless they have been given supervision or instruction.

WARNING:

Children being supervised not to play with the appliance.

WARNING:

Do not store explosives, such as aerosol cans with flammable propellants in the unit.

WARNING:

Danger risk of fire or explosion if flammable refrigerant are used.
To be repaired only by trained personnel.



WARNING:

When positioning the appliance, ensure the power cord is not trapped or damaged.

WARNING:

Do not locate multiple portable socket-outlets or portable power supplies at the rear of the appliance.

WARNING:

Sharp edges on cabinet, compressor compartment, evaporator, ventilation cover and on internal equipment can occur. Please be aware to avoid injury.

WARNING:

The condenser on the back of the appliance will in some cases have a hot surface. Please be aware to avoid injury.

WARNING:

The appliance must be connected to power minimum 12 hours before using it for storage of medicine.

- Always keep the keys in a separate place and out of reach of children.
- Do not step on the lower panel to reach medicine in the top of the appliance.
- Before servicing or cleaning the appliance, unplug the appliance from the mains or disconnect the electrical power supply.
- If the supply cord is damaged, it must be replaced by the manufacturer, its service agent, or similarly qualified persons in order to avoid a hazard.
- Relevant for Australia: Supply cord fitted with a plug complies with AS/NZS 3112.
- Frost formation on the interior evaporator wall and upper parts is a natural phenomenon. Therefore, the appliance should be defrosted during normal cleaning or maintenance.
- Please note that changes to the appliance construction will cancel all warranty and product liability.
- This device is intended to be used exclusively for medical products.
- If medicine is spilled in the appliance or the defrost water canal is has to be cleaned immediately to avoid the medicine to evaporate to the surroundings.
- If the instructions is lost please contact your supplier of the appliance to have a new instruction for use.
- If service needed to this device, please be aware of only using service personnel with education in handling medical devices.

Flammable Material Storage Freezer

Sparkfree interior to reduce the risk of internal explosion.

Interior temperature range: +1°C to 15°C

The interior comprise this safety marking:

CE  II 3G nA IIB T6

**NOTE:**

- Combustible materials may be stored inside cabinet. but the cabinet is not approved for potential explosive areas.
- Combustible materials shall be stored in approved containers.
- Danger of sparks due to electrostatic discharge. Do not use a dry cloth to clean plastic parts. Clean plastic parts with a damp cloth only!

PRODUCT DESCRIPTION

Before use

This user manual is intended for the following product models:

Tabletop	Undercounter	Upright
F-90i	F-138i	F-427i

We recommend that you read this user manual before using the unit for the first time. Vestfrost Solutions does not guarantee safe operation if the unit is used for anything other than its intended use. Contents of the user manual can be subject to change without notice.

This manual should be considered an integral part of the unit and should be stored close to the unit and be easy to access.

For current versions of the manual, please visit <https://www.vestfrostsolutions.com/biomedical/>.

Before operating your new appliance, please read the following instructions carefully:

1. Check to ensure the appliance has not been damaged during transport. Transport damage should be reported to the transporter at delivery.
2. The foil on the shelves must be removed before cleaning and using the unit.
3. Clean the inside of the cabinet using warm water with a mild detergent. Use a soft cloth and rinse with clean water and dry thoroughly.
4. Allow the freezer to stay at an upright position for at least one hour before switched on.
5. Allow the freezer to operate at the desired temperature for a minimum of 12 hours before loading.

A-weighted emission sound pressure level is below 70 dB(A)

Electrical connection

Wiring and connections in power supply systems must be all applicable (local and national) electrical codes. Consult these codes lengths and sizes prior to cabinet installation.

This device complies with relevant EU directives including Low Voltage Directive 2014/35/EU and Electromagnetic Compatibility Directive 2014/30/EU

The socket should be freely accessible.

Connect the appliance only to 220/240V / 50Hz alternating current via a correctly installed earthed socket.

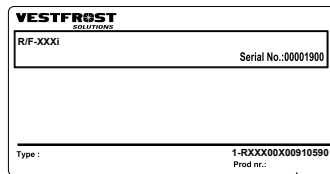
The socket must be fused with a 10A or 13A fuse.

If the appliance is to be operated in a non-European country, check on the rating plate whether the indicated voltage and current type correspond to the values of your mains supply.

Data regarding voltage and absorbed power / current are given on the rating plate.

The power cord may be replaced by a technician only.

The rating plate provides various technical information as well as type and serial number.



Product number

Intended use

Vestfrost biomedical freezers are designed to provide reliable temperature stability and precision and ensure an ideal cold temperature storage for sensitive items is achieved. The products are designed for the following operating ranges:

Models	F-90i F-138i F-427i
Temperature range	-5°C to -25°C
Fabric Set Point	-25°C
Ambient Temperature	+16°C to +30°C
Relative humidity	Max 65 %



WARNING: This unit is not a “rapid-freeze” device. Freezing large quantities of liquid, or high-water content items, will temporarily increase the chamber temperature and will cause the compressors to operate for a prolonged time period. Avoid opening the door for extended time periods since chamber temperature air will escape rapidly. Also, keep the inner doors closed as much as possible. When room air, which is higher in humidity, replaces chamber air, frost may develop in the chamber more rapidly.

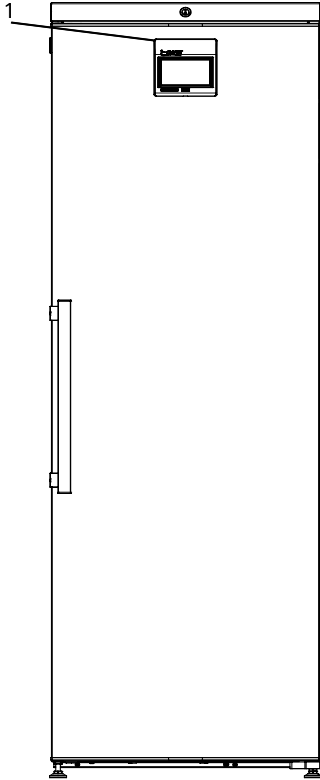
Room climate classes

The climate class is stated on the nameplate. This specifies the optimum room temperature.

Room climate class	Max room temperature °C	Relative humidity %
3	25	60
4	30	55
5	40	40
7	35	75

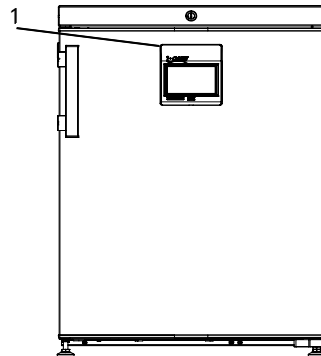
REFRIGERATOR COMPONENTS

Front & internal view

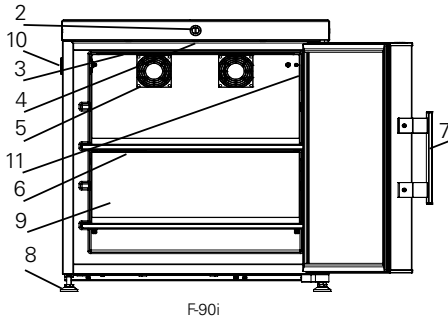


F-427i

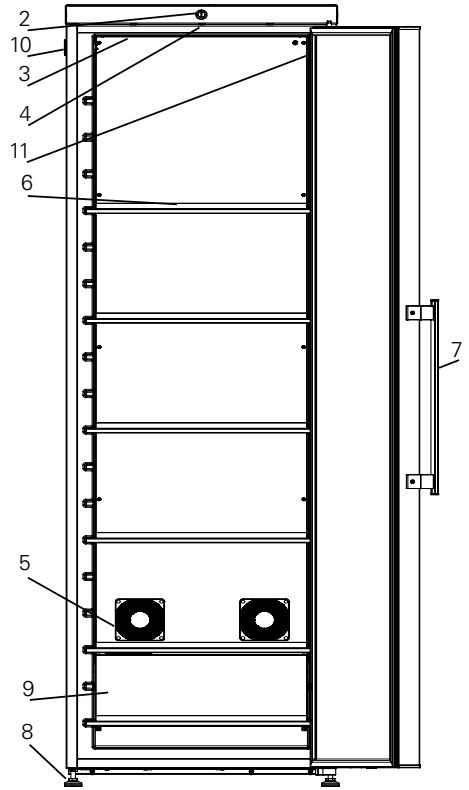
1. Display – With integrated keyboard
2. Lock
3. Light – Only when door is opened
4. Door switch
5. Fan
6. Drawer/Shelf
7. Door handle
8. Adjustable feet
9. Vacuum release – Ensure the door opens easily.
10. Porthole
11. Rating label



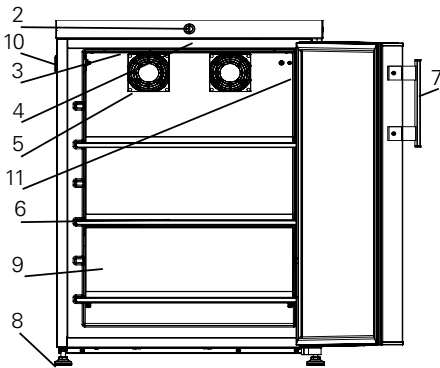
F-90i / F-138i



F-90i



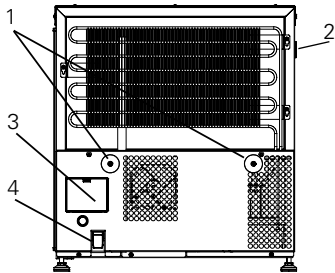
F-427i



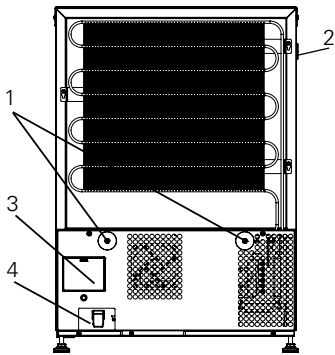
F-138i

Back view

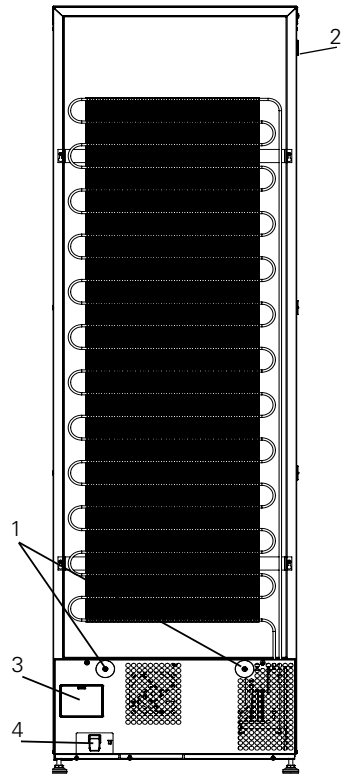
1. Ventilation guards.
See chapter Installation and Start-up.
2. Porthole – Hole for external sensor and CO2 backup.
See chapter Installation and Start-up
3. Remote alarm connection
See chapter Remote alarm function for more information.
4. Power supply – IEC plug.



F-90i



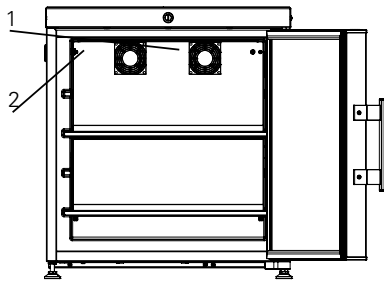
F-138i



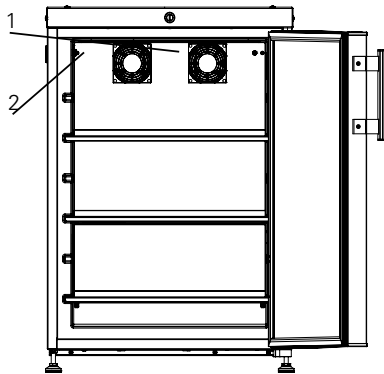
F-427i

Sensor placement

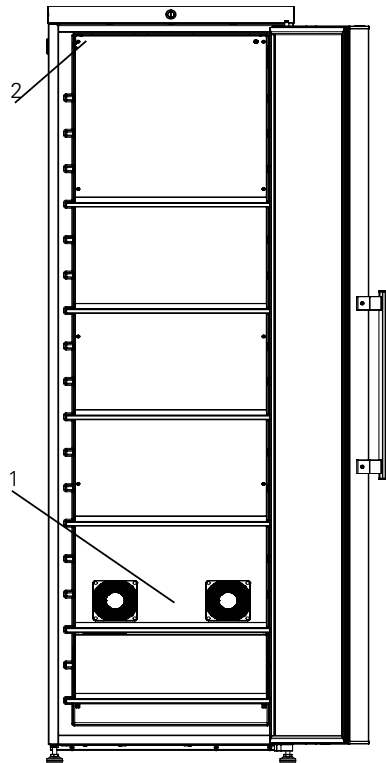
1. TR3 – Regulating probe.
2. External sensor – Use a 3.5mm cable tie to mount external sensor.
The cable tie can be found in the plastic bag.



F-90i



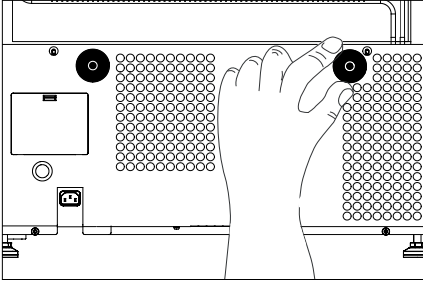
F-138i



F-427i

INSTALLATION AND START-UP

Ventilation guards



The two ventilation guards are mounted before moving the appliance to its final placement.

The guards function is to secure an absolute minimum of ventilation, if the appliance is pushed too close up against a wall.

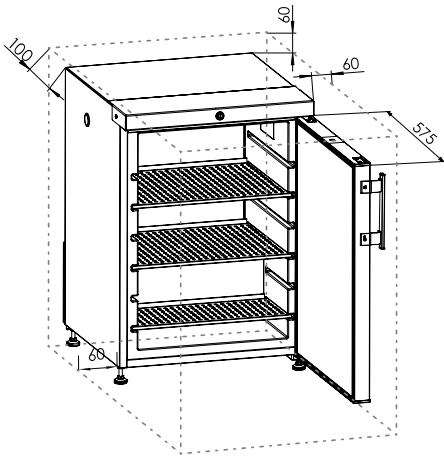
Steps:

1. Mount the ventilation guards in the holes behind the device.

Note!

(Some models have pre mounted ventilations guards)

Location and ventilation



This unit must be installed according to the below condition:

If the unit is installed in a location against the below conditions, its specified performance may not be achieved or malfunction and accident may occur.

Steps:

1. A location not exposed to direct sunlight
2. A location where the unit is not exposed to rain
3. In a dry, well ventilated room according to the described in Intended use
4. Away from sources of heat
5. In a location with minimal variations in temperature

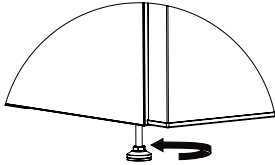
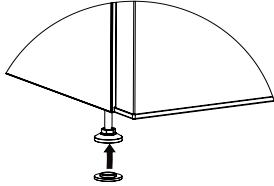
Secure ventilation, above, below and around the appliance. See illustrations.

(All dimensions are in millimeter (mm)).

Note!

There need to be space for the door to open in at least 90 degrees.

Levelling the appliance

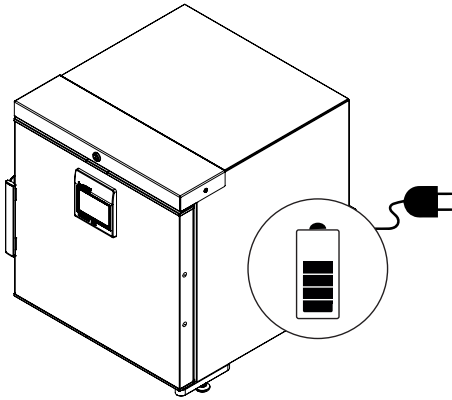


Make sure the appliance is level. It can be levelled by rotating the adjustable feet of the appliance.

Steps:

1. For some models: Take the "antislip base" from the plastic bag and mount it on the foot.
2. Adjust the four feet' until the unit is level.

Battery backup



The appliance is equipped with a battery back up system, which supplies the controller with power at power failure. The back up system duration is 48 hours.

Note!

When starting up the appliance for the first time it is necessary to charge the battery for 10 days.

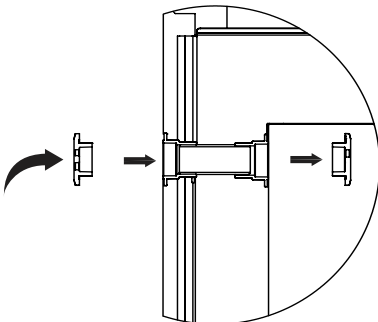
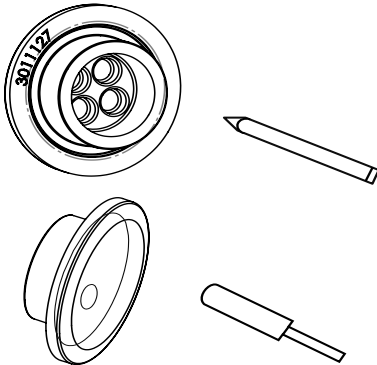
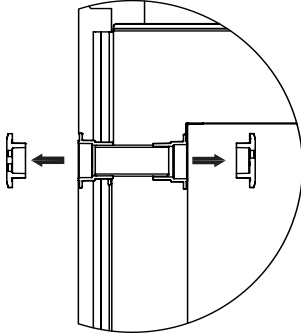
Note!

The battery backup system does not supply the cooling system with power. When starting up the appliance for the first time it is necessary to switch on the battery backup system.

Note!

The battery for backup should be changed every third year to secure 48 hours of back up. Please put this change in the maintenance schedule for every third year.

Porthole

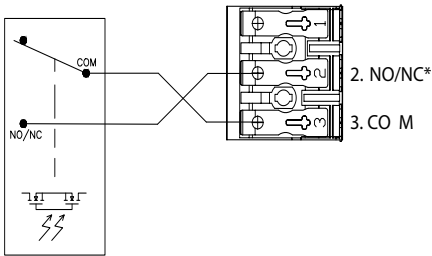


Portholes are used to pass the temperature probe in the chamber.

1. Take out the two rubber plugs.
2. Press a pencil through the marks on the inside of the rubber plugs.
3. Put your external sensor through the porthole, in the same direction as the arrow seen on the illustrations to the left or as described below.
4. Put the sensor through the outer rubber plug.
5. Then through the foam cylinder inside the porthole.
6. Then through the inner rubber plug.
7. Use the cable tie to mount your sensor.

Remote alarm function

Fig. Internal controller with built-in alarm relay



*) Configured by settings menu

Your device is equipped with a remote alarm connection to send alarm signals to a building management system, a monitoring unit, visual or acoustical warning device etc.

The alarm output is managed by the built in controller of the unit.

Alarm criteria may be too low temperature, too high temperature, power failure, open door or similar.

The alarm output is an electrical relay which acts like a ON/OFF switch.

A OptoMOS relay with maximum switch rating of 60V 3A is maintained by the build-in controller unit. The relay can be set to normally open or normally closed in the settings menu.

The relay terminals are explained this way:

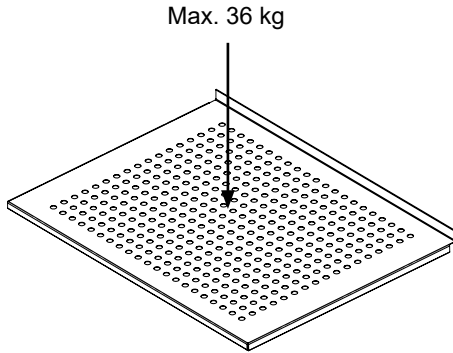
COM: COMMON terminal

NO/NC: NORMALLY OPEN/ NORMALLY CLOSED terminal. Normal position is set in the settings menu

An alarm interface cable of maximum 30 meters can be attached without the use of tools to the 3-pole alarm clamp connector.

Wire thickness must be within 0.5mm² to 2.5mm² and fitted with core crimp terminals.

INTERIOR FITTING



CONTROLLER

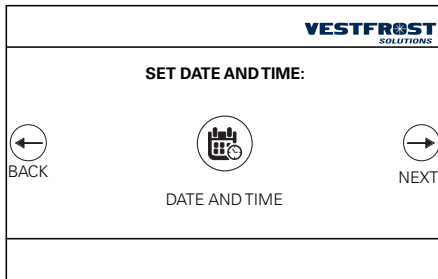
Wizard



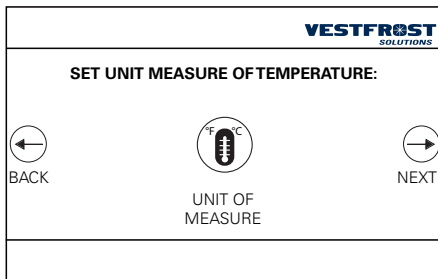
When the appliance is first started, or after performing a reset with default values, a configuration wizard is displayed. Through a few settings it allows you to commission the appliance with the minimum settings for its operation.

At this stage it is sufficient to select:

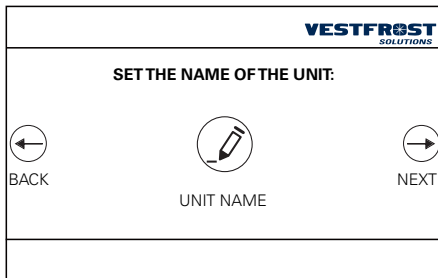
- the interface language



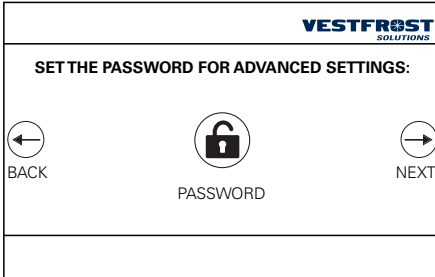
- the date and time



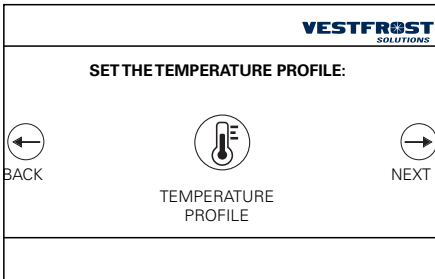
- temperature unit of measurement



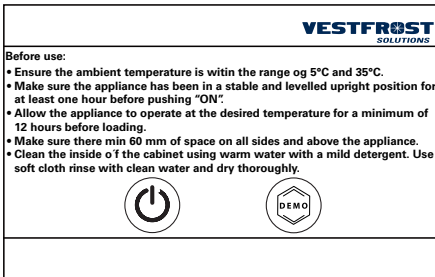
- appliance name



- service code



- selection of the desired temperature profile



- recommendations for use and installation and choice to activate the unit or use the "DEMO" mode

FAULT FINDING

Fault	Possible cause	Remedy
Screen of keyboard is not lit.	Power failure; the fuse is blown; the appliance is not plugged in correctly, the power is cut.	Check that power is connected. Reset the fuse.
Temperature in freezer too high	The ventilation grille is blocked. The door is not closed properly. The temperature setting is too high	Ensure unhindered air circulation Close the door and wait 15 min. Lower the temperature setting.
Temperature in refrigerator too low.	The temperature setting is too low	Raise the temperature setting
Vibration or bother-some noise	The appliance is not level.	Level the appliance (For model with adjustable feet: use a spirit level)
Compressor runs continuously.	The temperature setting is too low. Too high room temperature.	Raise the temperature setting. Ensure adequate ventilation.

MAINTENANCE

TASK	Description	Frequency			
		Quarterly	Annually	3 Years	As needed
The compressor compartment and the condenser must be kept free of dust and dirt.	<ol style="list-style-type: none"> 1. Unplug unit from power supply 2. Remove the lower panel. 3. Use a vacuum cleaner to remove dust and dirt. 	X			
The door gasket around the door must be cleaned regularly.	<ol style="list-style-type: none"> 1. Wipe the seal with a soft cloth and clean water 2. Check that it continues to provide a tight seal. 				X
Clean vacuum release	<ol style="list-style-type: none"> 1. Excessive frost accumulation in the vacuum release could restrict air flow. 2. Brush away any loose frost using a stiff nylon brush. 3. If frost has built up in the pipe of the vacuum release, thrust with a stick to remove the frost inside. 				X
Perform a temperature calibration at least once a year.	Only a certified technician must make the calibration.		X		
Replace the battery backup for the controller every 3 years.	Only a certified technician must replace the battery.			X	
Clean the interior and exterior of the device.	<ol style="list-style-type: none"> 1. Use warm water (max. 65°C) with a little mild, perfume-free detergent with a soft cloth. 2. Rinse with clean water and dry thoroughly. <p>Note: It is important to prevent water from entering the control panel.</p>				X

GENERAL INFORMATION

Warranty, spare parts and service

Warranty disclaimer

Faults and damage caused directly or indirectly by incorrect operation, misuse, insufficient maintenance, incorrect building, installation or mains connection. Fire, accident, lightening, voltage variation or other electrical interference, including defective fuses or faults in mains installations. Repairs performed by others than approved service centres and any other faults and damage that the manufacturer can substantiate are caused by reasons other than manufacturing or material faults are not covered by the warranty.

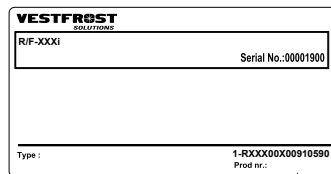
Please note that changes to the construction of the appliance or changes to the component equipment of the appliance will invalidate warranty and product liability, and the appliance cannot be used lawfully. The approval stated on rating plate will also be invalidated.

Transport damage discovered by the buyer is primarily a matter to be settled between the buyer and the distributor, i.e. the distributor must ensure that such complaints are resolved to the buyer's satisfaction.

Before calling for technical assistance, please check whether you are able to rectify the fault yourself. If your request for assistance is unwarranted, e.g. if the appliance has failed as a result of a blown fuse or incorrect operation, you will be charged the costs incurred by your call for technical assistance.

Spart parts

When ordering spare parts, please state the type, serial and product numbers of your appliance. This information is given on the rating plate. The rating plate contains various technical information, including product- type and serial numbers.



Product number

DISPOSAL

Information for Users on Collection and Disposal of Old Equipment and used Batteries



These symbols on the products, packaging, and/or accompanying documents mean that used electrical and electronic products and batteries should not be mixed with general household waste. For proper treatment, recovery and recycling of old products and used batteries, please take them to applicable collection points, in accordance with your national legislation and the Directives 2012/96/EU and 2006/66/EC.

By disposing of these products and batteries correctly, you will help to save valuable resources and prevent any potential negative effects on human health and the environment which could otherwise arise from inappropriate waste handling.

For more information about collection and recycling of old products and batteries, please contact your local municipality, your waste disposal service or the point of sale where you purchased the items.

Penalties may be applicable for incorrect disposal of this waste, in accordance with national legislation.



For business users in the European Union.

If you wish to discard electrical and electronic equipment, please contact your dealer or supplier for further information.

Information on Disposal in other Countries outside the European Union

These symbols are only valid in the European Union. If you wish to discard this product, please contact your local authorities or dealer and ask for the correct method of disposal.



Note for the battery symbol:

This symbol might be used in combination with a chemical symbol. In this case it complies with the requirement set by the Directive for the chemical involved.

NOTE:

It is very important to dismount the door before disposal. This to prevent any accident by children playing with the cabinet and door.

INHALT

WARNUNG	4
PRODUKTBESCHREIBUNG	7
Vor dem Gebrauch	7
Elektrische Verbindung	8
Verwendungszweck	9
Klimaklasse	9
GERÄTEKOMPONENTE	10
Von vorne und Innen gesehen	10
Von hinten gesehen	12
Fühlerplatzierung	14
INSTALLATION UND INBETRIEBNAHME	16
Lüftungsschutz	16
Aufstellen und Belüftung	17
Nivellieren des Gerätes	18
Batterie-Backup	19
Durchgangsloch	20
Fernalarmfunktion	21
INNENEINRICHTUNG BESTÜCKUNG	22
STEUEREINHEIT	23
ASSISTENT-SEITE	23
FEHLERSUCHE	25
WARTUNG	26
ALLGEMEINE INFORMATION	27
Reklamation, Ersatzteile und Service	27
ENTSORGUNG	28

WARNUNG

Da ein brennbares Gas als Kältemittel in diesem Gerät dient, ist es wichtig sicherzustellen, dass kein Teil des Kühlkreislaufs oder der Röhren beschädigt ist.

Die Menge und der Typ von Kältemittel im Gerät sind auf dem Typenschild angegeben.

Der Standard EN378 spezifiziert, dass der Raum, in dem das Gerät installiert wird, ein Volumen von 1m³ pro 8 g Kohlenwasserstoff-Kältemittel, das im Gerät verwendet ist, haben soll. Dies ist zu beachten, um die Bildung von leichtentzündlichen Gasgemischen in dem Raum, wo das Gerät installiert ist, zu vermeiden, falls eine Undichtigkeit des Kühlkreislaufs entsteht.

WARNUNG:

Decken Sie die Lüftungsöffnungen im Gehäuse des Gerätes oder am Einbaumodul nicht ab.

WARNUNG:

Verwenden Sie keine anderen mechanischen Geräte oder Hilfsmittel um den Entfrostungsprozess zu beschleunigen, als die Geräte, die vom Hersteller empfohlen sind.

WARNUNG:

Beschädigen Sie nicht den Kühlkreislauf.

WARNUNG:

Verwenden Sie keine elektrischen Geräte im Gerät, es sei denn, dass die Geräte vom Hersteller empfohlen sind.

WARNUNG:

Das Gerät vor Regen schützen, und bei der Fußbodenreinigung Spritzwasser vermeiden.

WARNUNG:

Dieses Gerät kann von Kindern ab 8 Jahren und Personen mit reduzierten physischen, sensorischen oder mentalen Fähigkeiten

oder Mangel an Erfahrung oder Wissen benutzt werden, wenn sie von einer Person, die für ihre Sicherheit verantwortlich ist, beaufsichtigt oder von ihr bezüglich des sicheren Gebrauchs des Gerätes unterwiesen wurden und sie die daraus resultierenden Gefahren verstanden haben.

WARNUNG:

Kinder dürfen nicht mit dem Gerät spielen.

WARNUNG:

Reinigung und Benutzer-Wartung dürfen nicht durch Kinder durchgeführt werden, es sei denn, sie werden beaufsichtigt.

WARNUNG:

Keine Produkte mit brennbaren Treibgasen (z. B. Spraydosen) und keine explosiven Stoffe lagern. Explosionsgefahr!

WARNUNG:

Gefahr von Feuer oder Explosion wenn brennbares Kältemittel ist verwendet. Darf nur von Fachpersonal repariert werden.

**WARNUNG:**

Achten Sie beim Aufstellen des Gerätes darauf, dass das Netzkabel nicht eingeklemmt oder beschädigt ist.

WARNUNG:

Platzieren Sie keine Verteilersteckdosen, Verlängerungskabel oder andere Netzteile an der Rückseite des Gerätes.

WARNUNG:

An Gehäuse, Kompressorteil, Verdampfer, Lüfterverkleidung und an Innenteilen können scharfe Kanten vorhanden sein. Bitte Vorsicht walten lassen, um Verletzungen zu vermeiden.

WARNUNG:

Der Verflüssiger hinten am Gerät hat zeitweise eine heiße Oberfläche. Bitte Vorsicht walten lassen, um Verletzungen zu vermeiden.

WARNUNG:

Das Gerät muss mindestens 12 Stunden in Betrieb sein bevor Sie es für die Lagerung von Medizin nutzen.

- Die Schlüssel immer an einem separaten Ort und außer Reichweite von Kindern aufbewahren.
- Treten Sie nicht auf die untere Abdeckung, um die Medizin oben im Gerät zu erreichen.
- Vor Reparatur oder Reinigung des Gerätes den Netzstecker von der Steckdose ziehen.
- Wenn die Anschlussleitung beschädigt ist, muss sie nur vom Hersteller, dem Serviceagent des Herstellers oder einem anderen Fachmann ausgewechselt werden, um Gefahr zu vermeiden.
- Relevant für Australien: Anschlussleitung mit Stecker erfüllt AS/NZS 3112
- Bildung von Reif auf der inneren Verdampferplatte und den obersten Teilen ist normal. In Verbindung mit Reinigung oder Wartung muss das Gerät deshalb entfrosten werden.
- Beachten Sie bitte, dass Änderungen der Konstruktion dieses Gerätes zur Folge haben, dass die Garantie und Produkthaftung erlöschen.
- Dieses Gerät soll ausschließlich für medizinische Produkte verwendet werden.
- Ist im Gerät Medizin ausgetreten, muss der Abtauwasserkanal sofort gereinigt werden, damit die Medizin nicht in die Umgebung verdampft.
- Bei Verlust der Bedienungsanleitung, beschaffen Sie sich von Ihrem Händler bitte Ersatz.
- Wartungsarbeiten sollten ausschließlich von Personen ausgeführt werden, die im Umgang mit medizinischen Geräten geschult sind.

Gefrierschrank für entzündliche Materialien

Funkenfreier Innenraum, um das Risiko einer internen Explosion zu verringern.

Innentemperaturbereich: +1°C bis 15°C

Der Innenraum besitzt folgende Sicherheitskennzeichnung:

CE  II 3G nA IIB T6

Hinweis:

- Feuergefährliche Materialien können im Schrank gelagert werden. Der Schrank ist jedoch nicht für explosionsgefährdete Bereiche zugelassen.
- Feuergefährliche Materialien sind in zugelassenen Behältern zu lagern.
- Gefahr der Funkenbildung durch elektrostatische Entladung. Verwenden Sie zum Reinigen von Kunststoffteilen kein trockenes Tuch. Kunststoffteile nur mit einem feuchten Tuch reinigen!



PRODUKTBESCHREIBUNG

Vor dem Gebrauch

Diese Bedienungsanleitung ist für folgende Produktmodelle vorgesehen:

Tischmodell	Undercounter	Schrankmodell
F-90i	F-138i	F-427i

Es empfiehlt sich, diese Bedienungsanleitung vor dem ersten Gebrauch des Gerätes zu lesen. Vestfrost Solutions garantiert keinen sicheren Betrieb, wenn das Gerät für andere Zwecke als den vorgesehenen Verwendungszwecke verwendet wird. Der Inhalt der Bedienungsanleitung kann ohne vorherige Ankündigung geändert werden.

Dieses Manual sollte als integraler Bestandteil des Gerätes betrachtet und in der Nähe des Gerätes aufbewahrt werden und leicht zugänglich sein.

Aktuelle Versionen des Manuals finden Sie unter <https://www.vestfrostolutions.com/biomedical/>

1. Vor Inbetriebnahme Ihres neuen Gerätes, lesen Sie bitte die Bedienungsanleitung sorgfältig durch:
2. Stellen Sie sicher, dass das Gerät während des Transports nicht beschädigt wurde. Transportschäden sind dem Transporteur bei Lieferung zu melden.
3. Die Folie auf den Einlegeböden muss vor Inbetriebnahme bzw. Reinigung entfernt werden.
4. Reinigen Sie das Innere des Gerätes mit warmen Wasser und einem milden Reinigungsmittel. Mit klarem Wasser nachspülen und sorgfältig trocknen. Verwenden Sie ein weiches Tuch.
5. Das Gerät muss in aufrechter Position für mindestens 1 Stunde stabilisiert werden bevor es eingeschaltet wird.
6. Lassen Sie das Gerät vor dem Laden mindestens 12 Stunden bei der gewünschten Temperatur laufen.

Der A-bewertete Emissionsschalldruckpegel liegt unter 70 dB(A)

Elektrische Verbindung

Verkabelung und Anschlüsse in Stromversorgungssystemen müssen allen (örtlichen und nationalen) Elektrovorschriften entsprechen. Machen Sie sich vor dem Einbau mit den Angaben in diesen Vorschriften vertraut.

Dieses Gerät entspricht den einschlägigen EU-Richtlinien einschließlich:

Niederspannungsrichtlinie 2014/35/EU

Elektromagnetische Kompatibilitätsrichtlinie 2014/30/EU

Die Steckdose muss frei zugänglich sein.

Schliessen Sie das Gerät nur über eine korrekt installierte geerdete Steckdose an 220/240V / 50 Hz Wechselstrom an.

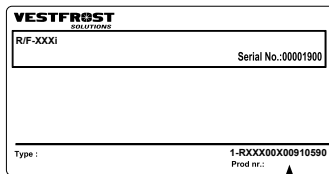
Die Steckdose muss mit einer 10-A oder 13-A Sicherung abgesichert sein.

Bei Geräten, die in nicht-europäischen Ländern betrieben werden, ist auf dem Typenschild zu überprüfen, ob die angegebene Spannung und Stromart mit den Werten Ihres Stromnetzes übereinstimmt.

Daten zur Spannung und Leistungsaufnahme / Strom sind auf dem Typenschild.

Ein eventuell notwendiger Austausch der Netzanschlussleitung darf nur durch einen Fachmann erfolgen.

Das Typenschild, das sich im Gerät befindet, enthält verschiedene technische Angaben sowie Typen- und Seriennummer.



Produktnummer _____

Verwendungszweck

Vestfrost biomedizinische Kühlschränke sind präzise temperaturgesteuerte Lagergeräte, die eine hohe Zuverlässigkeit und Leistung bieten. Die Geräte bieten eine effektiven Lagerung bei niedriger Temperatur für sensitive und wertvolle Waren. Die Geräte sind für die folgenden Betriebsbereiche ausgelegt:

Modelle	F-90i F-138i F-427i
Temperaturbereich	-5°C to -25°C
Werkseinstellung	-25°C
Umgebungstemperatur	+16°C to +30°C
Relative Luftfeuchtigkeit	Max 65 %



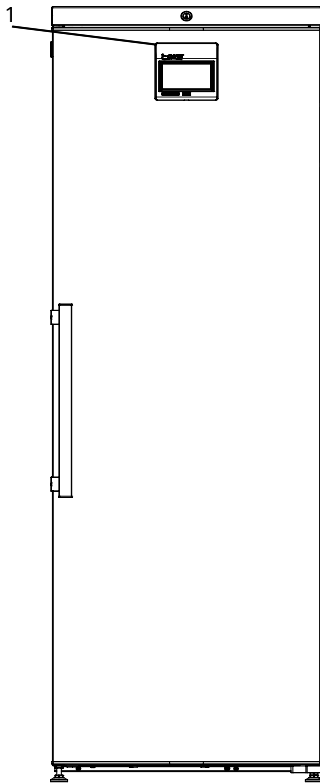
WARNUNG: Dieses Gerät ist kein "Schnellkühler". Das Abkühlen großer Mengen von Flüssigkeit oder Waren mit hohem Wassergehalt erhöht vorübergehend die Innentemperatur und führt dazu, dass die Kompressoren über einen längeren Zeitraum arbeiten. Vermeiden Sie es, die Tür für längere Zeit zu öffnen, da die abgekühlte Luft schnell entweichen wird.

Klimaklasse

Klimaklasse	Max zimmer temperatur °C	Relative Luftfeuchtigkeit %
3	25	60
4	30	55
5	40	40
7	35	75

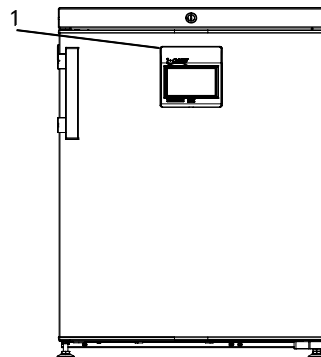
GERÄTEKOMPONENTE

Von vorne und Innen gesehen

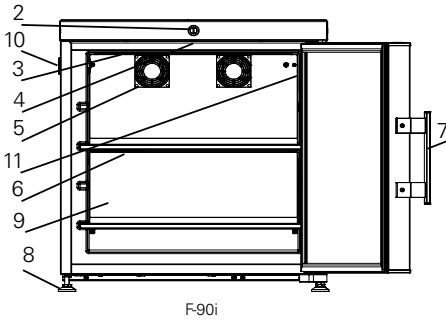


F-427i

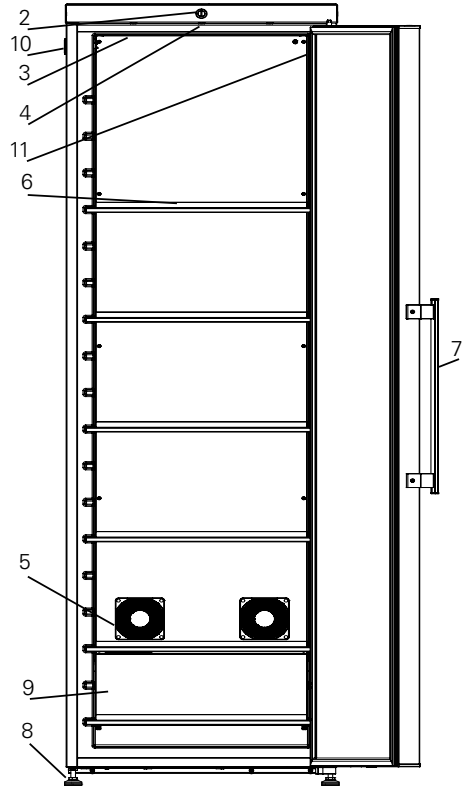
1. Display – mit integriertes Keyboard
2. Schloss
3. Licht – nur wenn die Tür geöffnet ist
4. Türschalter
5. Lüfter
6. Schublade/Einlegeboden
7. Türgriff
8. Verstellbare Füße
9. Vakuumauslöser – sichert dass sich die Tür leicht öffnen läßt.
10. Durchgangsloch
11. Typenschild.



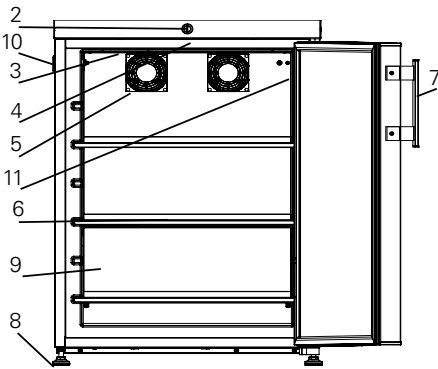
F-90i / F-138i



F-90i



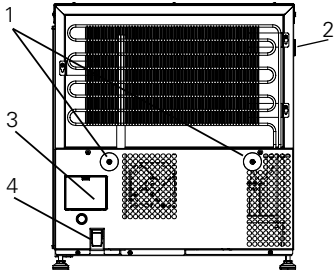
F-427i



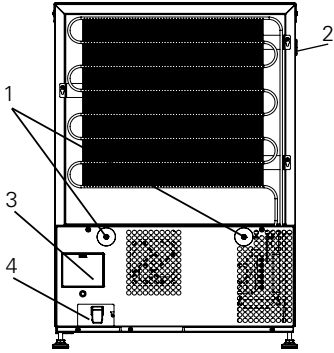
F-138i

Von hinten gesehen

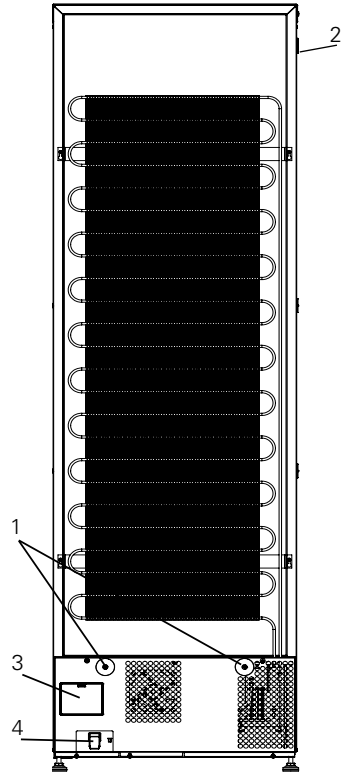
1. Lüftungsschutz.
Siehe Kapitel 'Installation und Inbetriebnahme'.
2. Durchgangsloch – Loch für externen Fühler. Siehe Kapitel 'Installation und Inbetriebnahme'.
3. Fernalarmanschluss.
Siehe Kapitel 'Fernalarmfunktion' für weitere Information.
4. Stromversorgung – IEC Stecker



F-90i



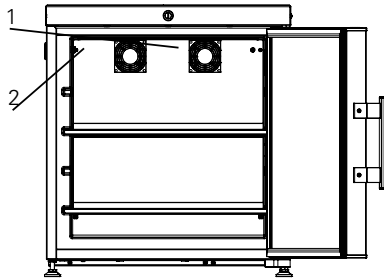
F-138i



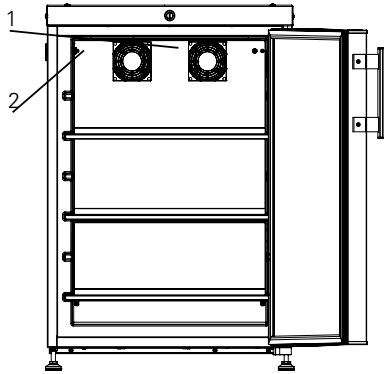
F-427i

Fühlerplatzierung

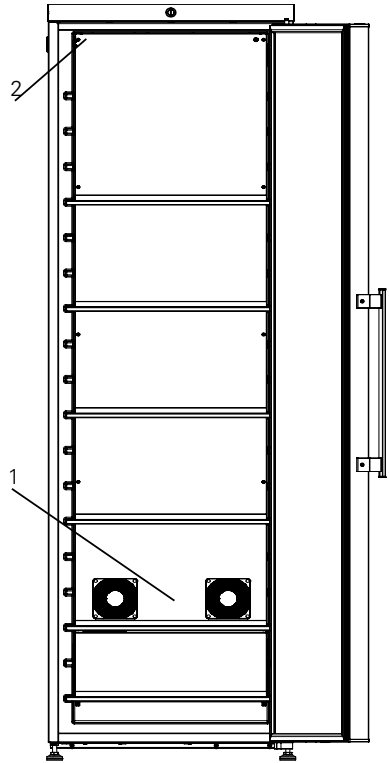
1. TR3 Temperaturfühler
2. Externer Fühler – den Fühler mit dem 3,5 mm Kabelbinder befestigen. Den Kabelbinder finden Sie in der Plastiktüte.



F-90i



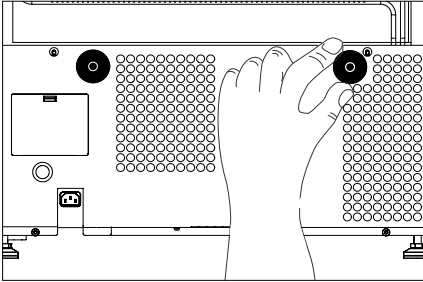
F-138i



F-427i

INSTALLATION UND INBETRIEBNAHME

Lüftungsschutz



Montieren Sie die beiden Lüftungsschutzvorrichtungen bevor das Gerät an die endgültige Position gebracht wird.

Die Funktion dieser Schutzvorrichtungen ist eine absolutes Minimum an Belüftung zu gewährleisten, falls das Gerät zu nahe an der Wand geschoben wird.

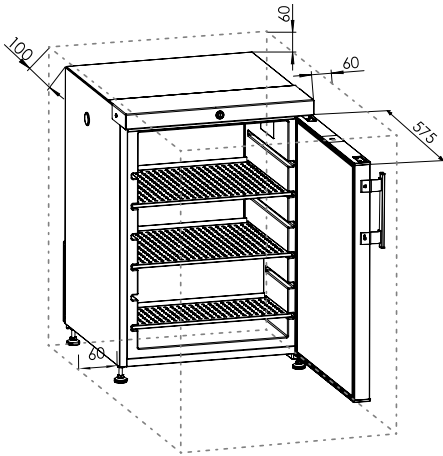
Verfahren:

1. Montieren Sie die Lüftungsschutzvorrichtungen in den Löchern auf der Rückseite des Gerätes.

Hinweis!

(Einige Modelle sind mit vormontierten Lüftungsschutzvorrichtungen ausgestattet.)

Aufstellen und Belüftung



Dieses Gerät muss unter den folgenden Bedingungen installiert werden:

Falls das Gerät an einem Ort installiert wird, der den untenstehenden Bedingungen nicht entspricht, wird die angegebene Leistung möglicherweise nicht erreicht, oder es kann zu Fehlfunktionen und Unfällen kommen.

Verfahren:

1. An einem Ort der keinem direkten Sonnenlicht ausgesetzt ist.
2. An einem Ort an dem das Gerät keinem Regen ausgesetzt ist.
3. In einem trockenen, gut belüfteten Raum gemäß der Angaben im Kapitel 'Verwendungszweck'.
4. Das Gerät von Wärmequellen fernhalten.
5. An einem Ort mit minimaler Temperaturschwankungen.

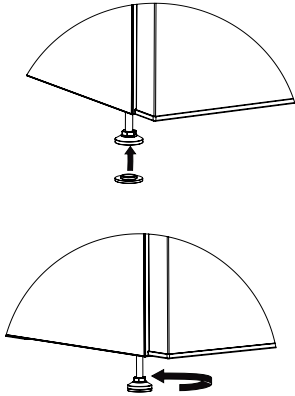
Sorgen Sie für Belüftung über, unter und um das Gerät. Siehe Abbildungen.

(Alle Maße sind in Millimeter (mm) angegeben.)

Hinweis!

Zum Öffnen der Tür um mindestens 90 Grad ist genügend Platz erforderlich.

Nivellieren des Gerätes

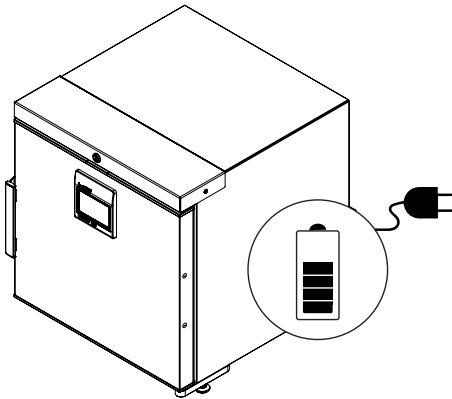


Überprüfen Sie, dass das Gerät waagrecht ist. Das Gerät kann durch Drehen der verstellbaren FüÙe waagrecht gestellt werden.

Verfahren:

1. Einige Modelle: Nehmen Sie das "Anti-Rutsch-Teil" aus der Plastiktüte und es am Fuß montieren.
2. Justieren Sie die vier FüÙe, bis das Gerät waagrecht steht.

Batterie-Backup



Das Gerät ist mit einem Batterie-Backup-System ausgestattet, das die Steuereinheit bei Stromausfall mit Strom versorgt. Die Dauer des Batterie-Backup-Systems beträgt 48 Stunden.

Hinweis!

Beim ersten Einschalten des Gerätes ist es erforderlich, dass die Batterie 10 Tage aufgeladen wird.

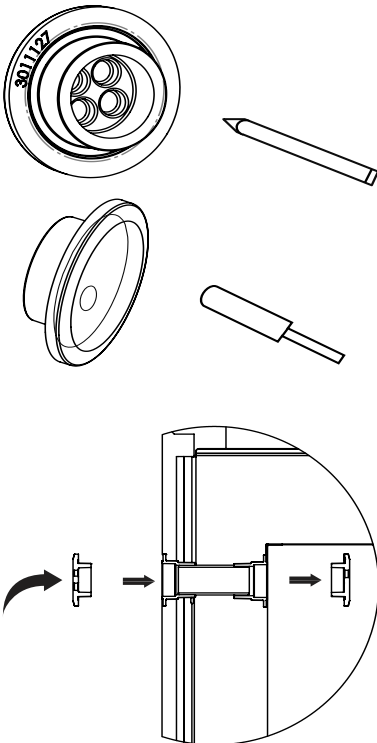
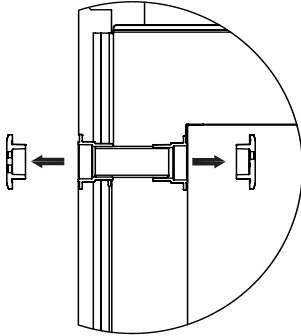
Hinweis!

Das Batterie-Backup-System versorgt nicht das Kühlsystem mit Strom. Beim ersten Einschalten des Gerätes ist es erforderlich das Batterie-Backup-System einzuschalten.

Note!

Die Batterie des Backup-Systems sollte alle drei Jahre gewechselt werden, um 48 Stunden Backup zu gewährleisten. Notieren Sie diese Batteriewechsel in dem Wartungsplan für jedes dritte Jahr.

Durchgangsloch



Durchgangslöcher werden dafür verwendet, um die Temperaturfühler in das Gerät zu führen.

Verfahren:

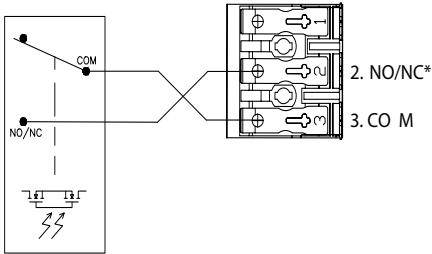
1. Siehe das Kapitel 'Gerätekomponente' für Informationen über die Platzierung des Durchgangslochs in Ihrem Gerät.
2. Die Gummistopfen unterscheiden sich von Modell zu Modell. In den Abbildungen links finden Sie den Durchgangsloch-Typ Ihres Gerätes.

Durchgangsloch:

1. Die beiden Gummistopfen entfernen.
2. Einen Bleistift durch die Markierungen auf der Innenseite der Gummistopfen pressen.
3. Den externen Fühler durch das Durchgangsloch in derselben Richtung wie der Pfeil in den Abbildungen links oder wie unten beschrieben führen.
4. Den Fühler durch den äußeren Gummistopfen stecken.
5. Den Fühler dann durch den Schaumzylinder im Durchgangsloch stecken.
6. Den Fühler dann durch den inneren Gummistopfen stecken.
7. Den Fühler mit dem Kabelbinder befestigen.

Fernalarmfunktion

Abb. Interner Regler mit eingebautem Alarmrelais



*) Konfiguriert über das Einstellungs Menü

Ihr Gerät ist mit einem Fernalarmanschluss ausgestattet, um Alarmsignale an eine Gebäudeleittechnik, eine Überwachungseinheit, optische oder akustische Warneinrichtung etc. zu senden.

Der Alarmausgang wird vom eingebauten Geräte-Controller gesteuert.

Alarmkriterien können zu niedrige Temperatur, zu hohe Temperatur, Stromausfall, offene Tür oder ähnliches sein.

Der Alarmausgang ist ein elektrisches Relais, das wie ein EIN / AUS-Schalter wirkt.

Ein OptoMOS-Relais mit einer maximalen Schaltleistung von 60V 3A wird von der eingebauten Steuereinheit gesteuert. Das Relais kann im Einstellungs Menü auf Schließer oder Öffner eingestellt werden.

Die Relaisklemmen sind wie folgt erklärt:

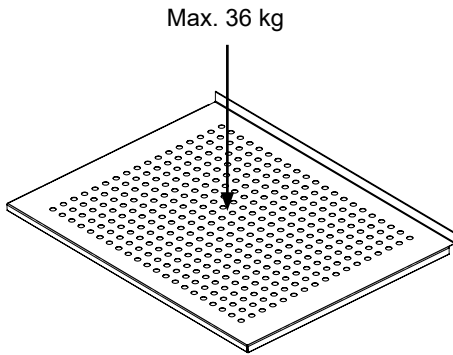
COM: GEWÖHNLICHE Klemme

NO/NC: SCHLIESSER/ÖFFNER Die Normalposition wird im Einstellungs Menü eingestellt.

An den 3-poligen Alarmklemmstecker kann ein maximal 30 Meter langes Alarmschnittstellenkabel werkzeuglos angeschlossen werden.

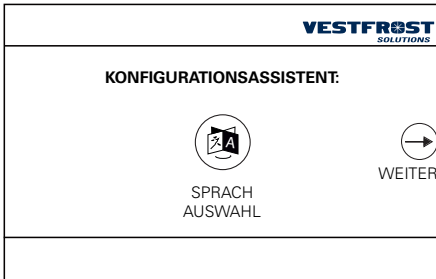
Die Drahtstärke muss zwischen 0,5 mm² und 2,5 mm² liegen und mit Ader-Quetschverbinder ausgestattet sein.

INNENEINRICHTUNG BESTÜCKUNG



STEUEREINHEIT

ASSISTENT-SEITE



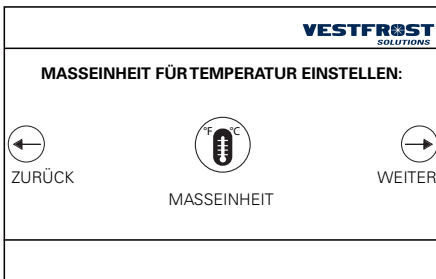
Beim Erststart des Gerätes oder nach einem Zurücksetzen auf die Standardwerte erscheint auf dem Bildschirm ein Konfigurationsassistent. Über wenige Einstellungen können Sie das Gerät mit Grundeinstellungen in Betrieb nehmen.

In dieser Phase reicht es aus, Folgendes auszuwählen:

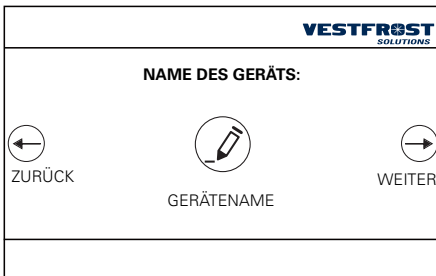
- die Benutzersprache:



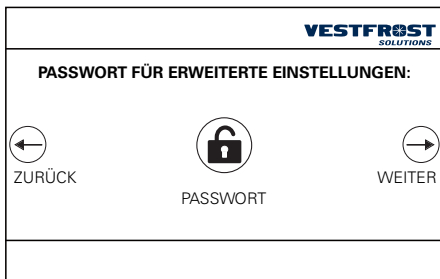
- Datum und Uhrzeit:



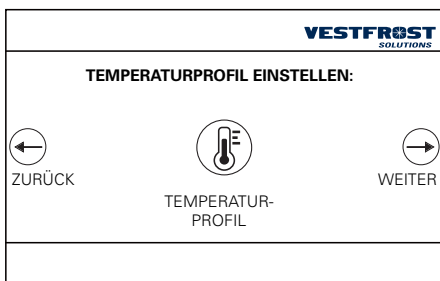
- Temperatur-Maßeinheit:



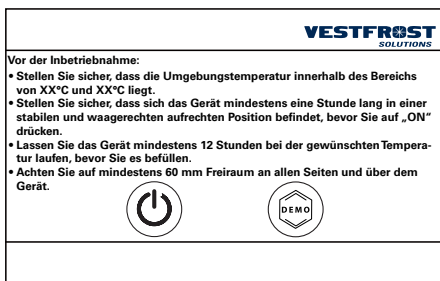
- Gerätename:



- Servicecode



- Auswahl des gewünschten Temperaturprofils:



- Empfehlungen für den Gebrauch und die Installation und die Wahl, das Gerät zu aktivieren oder den „DEMO“-Modus zu verwenden:

FEHLERSUCHE

Fehler	Mögliche Ursache	Abhilfe
Anzeige leuchtet nicht.	Stromausfall, Sicherung durchgebrannt, Stecker nicht richtig eingesteckt, Stromversorgung ausgeschaltet.	Stromzufuhr prüfen. Sicherung einschalten.
Temperatur in der Einheit zu hoch.	Das Lüftungsgitter ist blockiert. Die Tür ist nicht richtig geschlossen. Temperatureinstellung zu hoch.	Stellen Sie ungehinderte Luftzirkulation sicher. Tür schließen und 15 Min. warten. Temperatureinstellung absenken.
Temperatur in der Einheit zu niedrig.	Temperatureinstellung zu niedrig.	Temperatureinstellung erhöhen.
Vibration oder störende Geräusche.	Das Gerät steht nicht eben.	Gerät ausrichten. (Bei Modellen mit einstellbaren Füßen: benutzen Sie eine Wasserwaage).
Kompressor läuft ununterbrochen.	Temperatureinstellung zu niedrig. Zu hohe Raumtemperatur.	Temperatureinstellung erhöhen. Sorgen Sie für ausreichende Belüftung.

WARTUNG

AUFGABE	Beschreibung	Häufigkeit			
		Viertel-jährlich	Jährlich	Alle 3 Jahre	Nach Bedarf
Der Kompressorraum und der Kondensator frei von Staub und Schmutz halten.	<ol style="list-style-type: none"> 1. Netzstecker von der Stromversorgung ziehen. 2. Staub und Schmutz mit einem Staubsauger entfernen. 	X			
Die Türdichtung um die Tür regelmäßig reinigen.	<ol style="list-style-type: none"> 1. Die Dichtung mit einem weichen Tuch und sauberes Wasser abwischen. 2. Überprüfen ob die Dichtung weiterhin dicht ist. 				X
Den Vakuumauslöser reinigen.	<ol style="list-style-type: none"> 1. Übermäßige Reifbildung in dem Vakuumauslöser kann den Luftstrom einschränken. 2. Losen Reif mit einer steifen Nylonbürste entfernen. 3. Wenn sich im Rohr des Vakuumauslösers Reif gebildet hat, mit einem Stock stoßen um den Reif zu entfernen. 				X
Temperaturkalibrierung ausführen.	Ein autorisierter Techniker muss die Kalibrierung ausführen.		X		
Das Batteri-Backup für die Steuereinheit ersetzen.	Nur ein autorisierter Techniker muss die Batterie austauschen.			X	
Das Innere und Äußere des Gerätes reinigen.	<ol style="list-style-type: none"> 1. Warmes Wasser (max. 65°C) mit einem milden parfümfreien Reinigungsmittel und ein weiches Tuch verwenden. 2. Mit sauberem Wasser abspülen und gründlich trocknen. <p>Hinweis: Zur Desinfektion des Gerätes empfehlen wir folgende Ausgangsstoffe: Alkohole und Aldehyde. Chlor und Persäuren dürfen ebenfalls verwendet werden. Bitte beachten Sie jedoch, dass Produkte auf Chlor- und Persäurebasis die Oberflächen angreifen können. Daher ist ein sorgfältiges Abweichen mit klarem Wasser und ein Abwischen nach der Desinfektion sehr wichtig.</p>				X

ALLGEMEINE INFORMATION

Reklamation, Ersatzteile und Service

Haftungsausschluss

Der Lieferant haftet nicht für Fehler oder Schäden, die direkt oder indirekt durch Fehlbedienung, Missbrauch, mangelhafte Wartung, fehlerhaften Einbau, fehlerhafte Aufstellung oder fehlerhaften Anschluss sowie Feuer, Unfall, Blitzschlag, Spannungsänderungen oder andere elektrische Störungen – wie z.B. defekte Sicherungen oder Fehler in der Netzinstallation – sowie von anderen als den von dem Lieferanten vorgeschriebenen Reparaturbetrieben ausgeführten Reparaturen verursacht wurden, und allgemein nicht für Fehler und Schäden, die der Lieferant nachweislich auf andere Ursachen als Fabrikations- und Materialfehler zurückführen kann. Diese Fehler oder Schäden fallen nicht unter das Reklamationsrecht.

Transportschäden, die der Anwender feststellt, sind primär eine Sache zwischen ihm und dem Händler, d.h. der Händler hat den Anwender zufrieden zu stellen.

Bevor Sie den Kundendienst rufen, prüfen Sie bitte, ob Sie den Fehler selbst beheben können (siehe Fehlersuche). Ist Ihr Hilfeverlangen unberechtigt, beispielsweise weil das Versagen des Gerätes auf eine defekte Sicherung oder Fehlbedienung zurück zu führen ist, gehen die Kosten für den Servicebesuch zu Ihren Lasten.

Ersatzteile

Bitte bei der Ersatzteilbestellung Typ- und Seriennummer sowie Produktnummer angeben. Diese Angaben finden Sie auf dem Typenschild. Das Typenschild enthält verschiedene technische Informationen, einschließlich Produkt-, Typ- und Seriennummern.

VESTFRÖST <small>SOLUTIONS</small>	
R/F-XXXI	Serial No.:00001900
Type :	1-RXXX00X00910590 Prod nr.:

↑
Produktnummer _____

ENTSORGUNG

Benutzerinformation zur Sammlung und Entsorgung von veralteten Geräten und benutzten Batterien.



Diese Symbole auf den Produkten, Verpackungen und/oder Begleitdokumenten bedeuten, dass benutzte elektrische und elektronische Produkte und Batterien nicht in den allgemeinen Hausmüll gegeben werden sollen. Bitte bringen Sie diese alten Produkte und Batterien zur Behandlung, Aufarbeitung bzw. zum Recycling gemäß Ihrer Landesgesetzgebung und den Richtlinien 2012/96/EU und 2006/66/EG zu Ihren zuständigen Sammelpunkten.

Indem Sie diese Produkte und Batterien ordnungsgemäß entsorgen, helfen Sie dabei, wertvolle Ressourcen zu schützen und eventuelle negative Auswirkungen auf die menschliche Gesundheit und die Umwelt zu vermeiden, die anderenfalls durch eine unsachgemäße Abfallbehandlung auftreten können.

Wenn Sie ausführlichere Informationen zur Sammlung und zum Recycling alter Produkte und Batterien wünschen, wenden Sie sich bitte an Ihre örtlichen Verwaltungsbehörden, Ihren Abfallentsorgungsdienstleister oder an die Verkaufseinrichtung, in der Sie die Gegenstände gekauft haben.

Gemäß Landesvorschriften können wegen nicht ordnungsgemäßer Entsorgung dieses Abfalls Strafgerichte verhängt werden.



Für geschäftliche Nutzer in der Europäischen Union.

Wenn Sie elektrische oder elektronische Geräte entsorgen möchten, wenden Sie sich wegen genauerer Informationen bitte an Ihren Händler oder Lieferanten.

Informationen zur Entsorgung in Ländern außerhalb der Europäischen Union

Diese Symbole gelten nur innerhalb der Europäischen Union. Bitte treten Sie mit Ihrer Gemeindeverwaltung oder Ihrem Händler in Kontakt, wenn Sie dieses Produkt entsorgen möchten, und fragen Sie nach einer Entsorgungsmöglichkeit.



Hinweis zum Batteriesymbol:

Dieses Symbol kann in Kombination mit einem chemischen symbol verwendet werden. In diesem Fall erfüllt es die Anforderungen derjenigen Richtlinie, die für die betreffende Chemikalie erlassen wurde.

HINWEIS:

Es ist sehr wichtig, die Tür vor der Entsorgung abzubauen. Dies verhindert einen Unfall von Kindern, die mit dem Schrank und der Tür spielen.

Instructions originales vérifiées par



Falkevej 12
DK-6705 Esbjerg

SOMMAIRE

AVERTISSEMENT	4
DESCRIPTION DU PRODUIT	7
Avant utilisation	7
Connexion électrique	8
Utilisation prévue	9
Classe climatique	9
COMPOSANTS D'APPAREIL	10
Vue de devant et interne	10
Vue arrière	12
Placement des sondes	14
INSTALLATION ET MISE EN MARCHÉ	16
Gardes de ventilation	16
Emplacement et ventilation	17
Mise à niveau de l'appareil	18
Batterie de secours	19
Trou de passage	20
Fonction d'alarme à distance	21
AJUSTEMENT INTÉRIEUR	22
CONTRÔLEUR	23
PAGE DE L'ASSISTANT	23
LOCALISATION DES ANOMALIES	25
MAINTENANCE	26
INFORMATIONS GÉNÉRALES	27
Garantie, pièces de rechange et service après-vente	27
MISE AU REBUT	28

AVERTISSEMENT

Puisque l'appareil contient un réfrigérant Inflammable, il est essentiel de s'assurer que les conduits du fluide réfrigérant ne sont pas endommagés.

La quantité et le type de réfrigérant utilisée dans votre appareil est indiquée sur la plaque signalétique.

La norme EN378 précise que la pièce dans laquelle vous installez votre appareil doit posséder un volume de 1 m³ par 8 g de réfrigérant avec des hydrocarbures utilisés dans l'appareil afin d'éviter la formation de mélanges gaz/air inflammable dans la pièce où l'appareil est installé dans le cas où il y aurait une fuite dans le circuit réfrigérant.

AVERTISSEMENT:

Gardez les orifices de ventilation, situés sur la carrosserie de l'appareil ou autour de l'appareil, libres de toute obstruction.

AVERTISSEMENT:

Ne pas utiliser d'appareils mécaniques ou autres moyens pour accélérer la décongélation sauf ce qui est recommandé par le fabricant.

AVERTISSEMENT:

Ne pas endommager le système de réfrigération.

AVERTISSEMENT:

Ne pas utiliser d'appareils électriques à l'intérieur du compartiment de stockage sauf s'ils sont recommandés par le fabricant.

AVERTISSEMENT:

L'appareil ne doit pas être exposé directement à la pluie et ne doit pas être aspergé lorsque le plancher est lavé.

AVERTISSEMENT:

Cet appareil peut être utilisé par des enfants de 8 ans ou plus et par des personnes dotées de capacités physiques, sensorielles ou mentales réduites ou disposant de connaissances ou d'expéri-

ence insuffisantes, sous la surveillance d'un tiers responsable de leur sécurité ou bien lorsqu'ils ont reçu des instructions liées à l'utilisation de l'appareil en toute sécurité et qu'ils ont intégré les risques qui en résultent.

AVERTISSEMENT:

Les enfants ne doivent pas jouer avec l'appareil.

AVERTISSEMENT:

Le nettoyage et l'entretien effectué par l'utilisateur ne doivent pas être accomplis par des enfants, sauf s'ils sont surveillés.

AVERTISSEMENT:

Ne pas entreposer des explosifs, tels que les aérosols avec propulseurs inflammables dans l'appareil.

AVERTISSEMENT:

Danger – risque d'incendie ou d'explosion si un réfrigérant inflammable est utilisé. L'appareil doit seulement être réparé par un personnel qualifié.



AVERTISSEMENT:

Lors du positionnement de l'appareil, assurez-vous que le câble d'alimentation n'est pas coincé ou endommagé.

AVERTISSEMENT:

Ne placez pas des rallonges ou d'alimentations en courant portables à l'arrière de l'appareil.

AVERTISSEMENT:

Les bords peuvent être coupants au niveau de l'encadrement de l'appareil, du compartiment du compresseur, de l'évaporateur, du couvercle de la ventilation et sur l'équipement interne. Merci de faire attention afin d'éviter toute blessure.

AVERTISSEMENT:

La surface du condensateur situé au dos de l'appareil peut être chaude. Merci de faire attention afin d'éviter toute blessure.

AVERTISSEMENT:

L'appareil doit être connecté au moins 12 heures avant de l'utiliser pour le stockage de la médecine.

- Conservez les clés dans un endroit hors de portée des enfants.
- Ne marchez pas sur le panneau inférieur pour atteindre les médicaments dans le haut de l'appareil.
- Avant de faire l'entretien ou le nettoyage de l'appareil, débranchez-le de son alimentation.
- Si le câble d'alimentation est endommagé, il doit être remplacé par le fabricant, des représentants ou des professionnels agréés afin d'éviter les dangers.
- Pertinent pour l'Australie : le câble d'alimentation équipé d'une fiche est conforme à AS/NZS 3112.
- La formation de givre sur les parois intérieures de l'évaporateur et les parties supérieures est un phénomène naturel et normal. Par conséquent, l'appareil doit être dégivré pendant le nettoyage ou l'entretien normal.
- Prenez note que toute modification de l'appareil annulera toutes les garanties et la responsabilité du fabricant.
- Cet appareil est destiné uniquement à être utilisé pour les produits médicaux.
- Si du médicament est renversé dans l'appareil, le canal d'eau de dégivrage doit être nettoyé immédiatement pour éviter que le médicament ne s'évapore dans l'environnement.
- Si vous perdez la notice d'utilisation, merci de contacter votre fournisseur afin d'obtenir une nouvelle notice d'utilisation.
- Si un entretien est nécessaire sur cet appareil, veuillez utiliser que des personnes formées à la manipulation des appareils médicaux.

Congélateur de stockage de matériaux inflammables

Intérieur sans étincelles pour réduire le risque d'explosion interne.

Plage de température interne : +1°C à 15°C

L'intérieur comporte ce marquage de sécurité :

CE  II 3G nA IIB T6



REMARQUE :

- Des matériaux combustibles peuvent être stockés à l'intérieur de l'appareil, mais l'appareil n'est pas approuvé pour des zones potentiellement explosives.
- Des matériaux combustibles doivent être stockés dans des conteneurs approuvés.
- Risque d'étincelles dues aux décharges électrostatiques. N'utilisez pas de chiffon sec pour nettoyer les pièces en plastique. Nettoyez les pièces en plastique uniquement avec un chiffon humide !

DESCRIPTION DU PRODUIT

Avant utilisation

Cette notice d'utilisation est destinée aux modèles de produits suivants:

Tabletop	Undercounter	Armoire
F-90i	F-138i	F-427i

Nous vous recommandons de lire cette notice d'utilisation avant d'utiliser l'appareil pour la première fois. Vestfrost Solutions ne garantit pas un fonctionnement sûr si l'appareil est utilisé pour autres choses que son utilisation destinée. Le contenu de la notice d'utilisation peut être modifié sans préavis.

Cette notice d'utilisation doit être considérée comme faisant partie intégrante de l'appareil et doit être conservée à proximité de l'appareil et être facilement accessible.

Des versions actuelles de la notice sont disponibles sur <https://www.vestfrostsolutions.com/bio-medical/>.

Avant d'utiliser votre nouvel appareil, veuillez lire attentivement les instructions suivantes:

1. Vérifiez que l'appareil n'a pas été endommagé pendant le transport. Les dommages de transport doivent être notifiés au transporteur lors de la livraison.
2. Le film sur les étagères doit être retiré avant de nettoyer et d'utiliser l'appareil.
3. Nettoyez l'intérieure de l'appareil à l'eau tiède avec un détergent doux. Utilisez un chiffon doux et rincez à l'eau claire et séchez soigneusement.
4. Laissez l'appareil en position verticale pendant au moins une heure avant de le mettre en marche.
5. Laissez l'appareil fonctionner à la température souhaitée pendant au moins 12 heures avant de le charger.

Le niveau de pression acoustique d'émission pondéré A est inférieur à 70 dB(A)

Connexion électrique

Le câblage et les raccordements électriques des systèmes d'alimentation électrique doivent respecter les normes électriques (locales et nationales) en vigueur. Consultez ces normes avant toute installation de l'appareil.

Cet appareil est conforme aux directives de l'U.E. le concernant, y compris la Directive 2014/35/EU sur la Basse Tension et la Directive 2014/30/EU sur la Compatibilité Electromagnétique.

La prise de courant doit rester facilement accessible. Brancher la fiche mâle de l'appareil dans une prise secteur en 220/240 V / 50Hz réglementairement reliée à la terre.

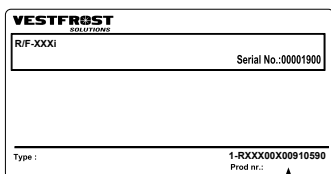
La prise doit être protégée par un fusible/disjoncteur supportant de 10 A ou 13 A.

Sur les appareils destinés aux pays non européens, vérifiez si la tension de branchement et le type de courant spécifiés sur la plaque signalétique concordent bien avec ceux offerts par le secteur du pays concerné.

Les données relatives à la tension et la puissance absorbée / courant sont indiquées sur la plaque signalétique.

Si un changement de cordon d'alimentation électrique s'impose, cette opération est réservée à un spécialiste.

La plaque signalétique fournit diverses informations techniques ainsi que les numéros de type et de série.



Numéro de produit

Utilisation prévue

Les réfrigérateurs biomédicaux Vestfrost sont des unités de stockage à température contrôlée de précision offrant une fiabilité et des performances élevées. Les appareils offrent un stockage efficace à basse température pour des articles sensibles et précieux. Les appareils sont conçus pour les plages de fonctionnement suivantes:

Modèles	F-90i F-138i F-427i
Plage de température	-5°C to -25°C
Reglage d'usine	-25°C
Température ambiante	+16°C to +30°C
Humidité relative	Max 65 %



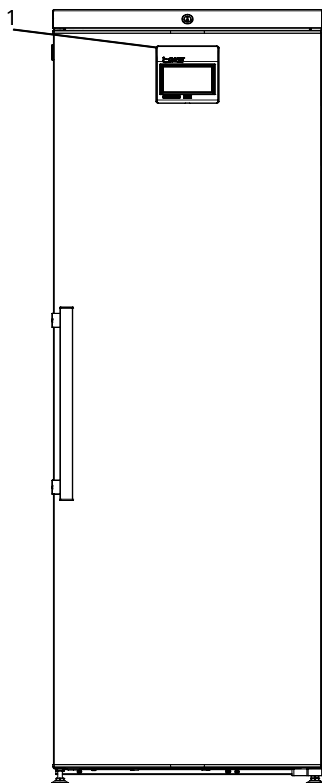
AVERTISSEMENT: Cet appareil n'est pas un appareil à "réfrigération rapide." La congélation de grandes quantités de liquide ou d'articles à forte teneur en eau augmentera temporairement la température interne et fera fonctionner les compresseurs pendant une période prolongée. Évitez d'ouvrir la porte pendant des périodes prolongées car l'air refroidi s'échappera rapidement.

Classe climatique

Classe climatique	Température ambiante max °C	Humidité relative %
3	25	60
4	30	55
5	40	40
7	35	75

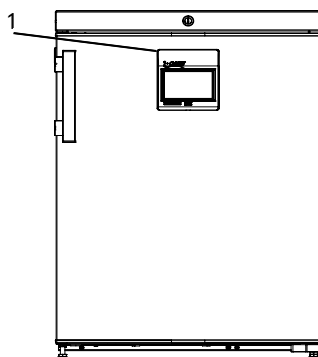
COMPOSANTS D'APPAREIL

Vue de devant et interne

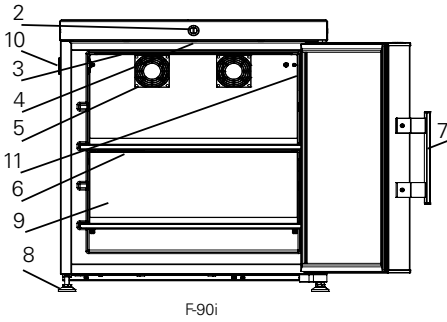


F-427i

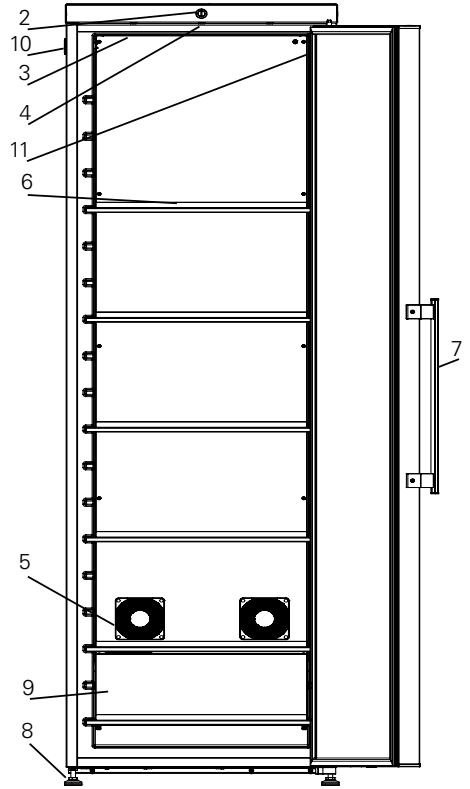
1. Écran – avec clavier intégré
2. Serrure
3. Éclairage – uniquement lorsque la porte est ouverte
4. Interrupteur de porte
5. Ventilateur
6. Tiroir/étagère
7. Poignée
8. Pieds réglables
9. Déclencheur de vide – assure que la porte s'ouvre facilement. **IMPORTANT:** assurez-vous qu'il est exempt de glace. Voir le chapitre "Maintenance".
10. Trou de passage – trou pour sonde externe.
11. Plaque signalétique



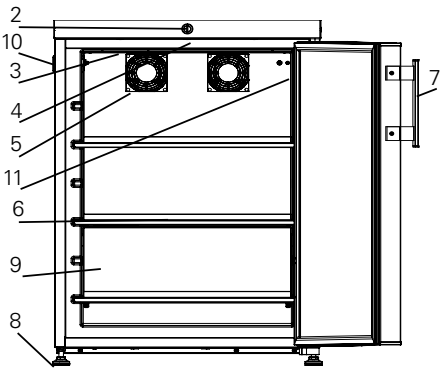
F-90i / F-138i



F-90i



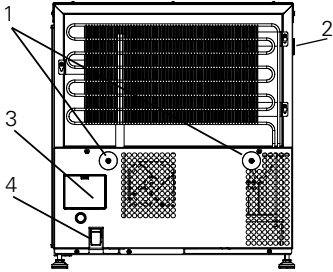
F-427i



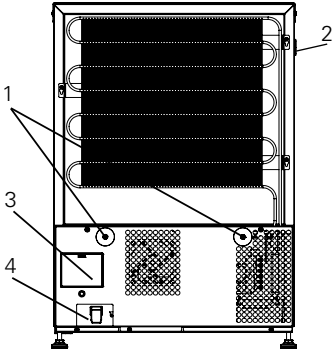
F-138i

Vue arrière

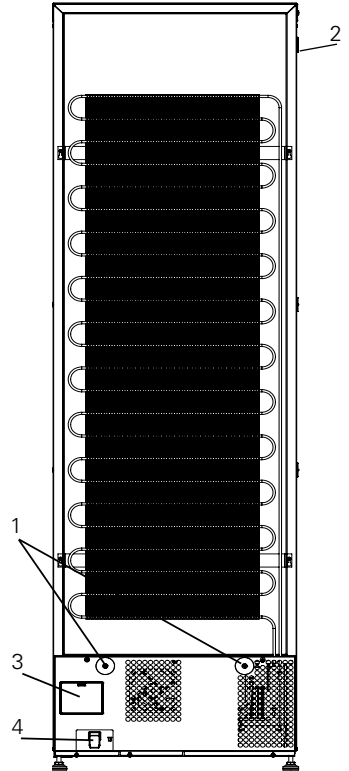
1. Gardes de ventilation.
Voir le chapitre "Installation et mise en marche".
2. Trou de passage – trou pour sonde externe. Voir le chapitre "Installation et mise en marche".
3. Connexion d'alarme .
Voir le chapitre "Fonction d'alarme à distance" pour plus d'informations.
4. Alimentation en courant – fiche IEC



F-90i



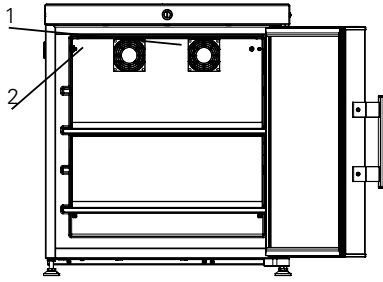
F-138i



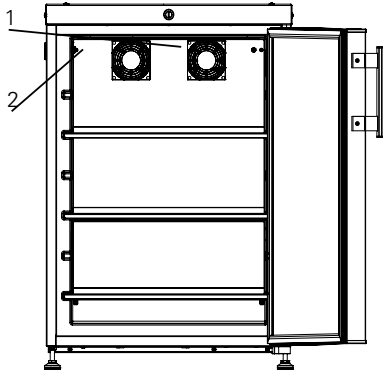
F-427i

Placement des sondes

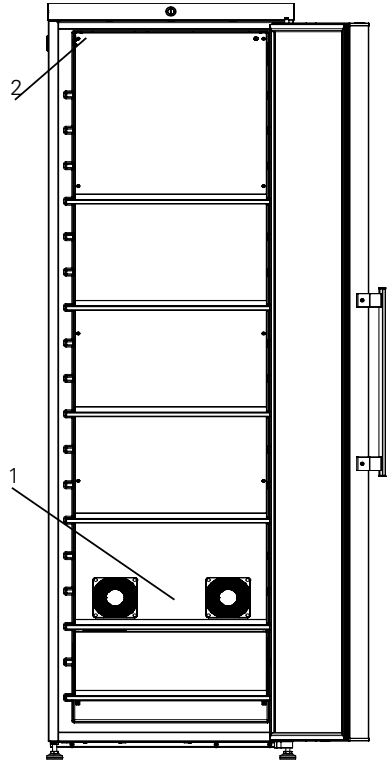
1. Sonde de température TR3
2. Sonde externe – utilisez un attache-câble de 3.5 mm pour monter la sonde externe. L'attache-câble se trouve dans le sac en plastique.



F-90i



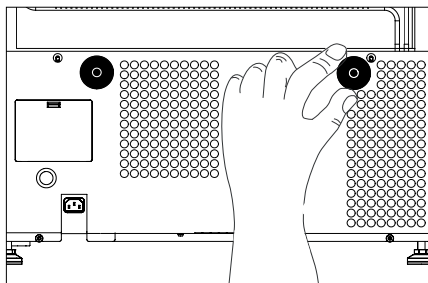
F-138i



F-427i

INSTALLATION ET MISE EN MARCHÉ

Gardes de ventilation



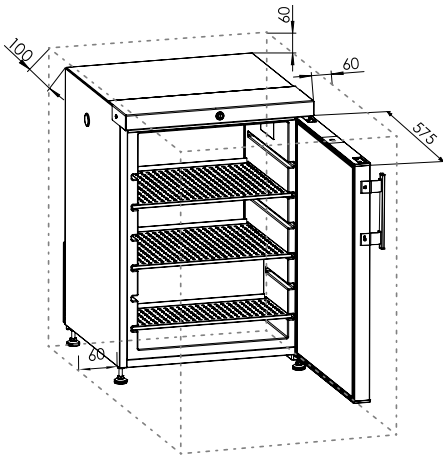
Montez les deux gardes de ventilation avant de déplacer l'appareil à sa place finale.

La fonction des gardes est d'assurer un minimum absolu de ventilation, si l'appareil est poussé trop près contre un mur.

Procédé:

1. Montez les gardes de ventilation dans les trous à l'arrière de l'appareil.
2. (Certains modèles sont équipés des gardes de ventilation prémontées.)

Emplacement et ventilation



Cet appareil doit être installé selon les conditions suivantes:

Si l'appareil est installé dans un endroit qui ne remplit pas les conditions ci-dessous, les performances spécifiées ne peuvent pas être atteintes ou un dysfonctionnement et des accidents peuvent se produire.

Procédé:

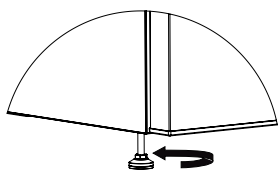
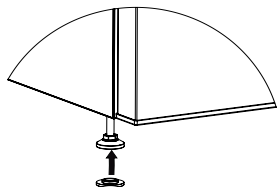
1. Dans un endroit qui n'est pas exposé à la lumière directe du soleil
2. Dans un endroit où l'appareil n'est pas exposé à la pluie.
3. Dans une pièce sèche et bien ventilée selon les informations dans le chapitre "Utilisation prévue".
4. Tenez l'appareil éloigné des sources de chaleur.
5. Dans un endroit avec des fluctuations minimales de température.

Assurez de ventilation au-dessus, en dessous et autour de l'appareil. Voyez les illustrations. (Toutes les dimensions sont en millimètres (mm)).

Remarque!

Il doit y avoir un espace pour que la porte s'ouvre d'au moins 90 degrés.

Mise à niveau de l'appareil

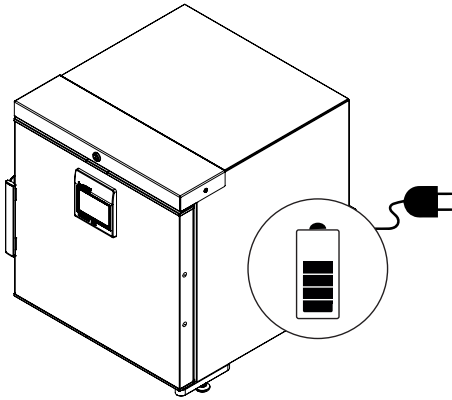


Vérifiez que l'appareil est de niveau. Il peut être mis en niveau en tournant les pieds réglables de l'appareil.

Procédé:

1. Certains modèles: Sortez la "base anti-dérapante" du sac en plastique et montez-la sur le pied.
2. Règlez les quatre pieds jusqu'à ce que l'appareil soit de niveau.

Batterie de secours



Cet appareil est équipé d'un système de batterie de secours, qui alimente le contrôleur en cas de panne de courant. La durée du système de batterie de secours est de 48 heures.

Remarque!

Lors du premier démarrage de l'appareil il est nécessaire de charger la batterie pendant 10 jours.

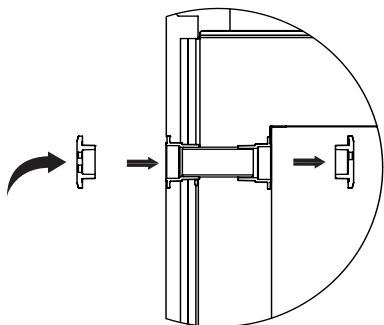
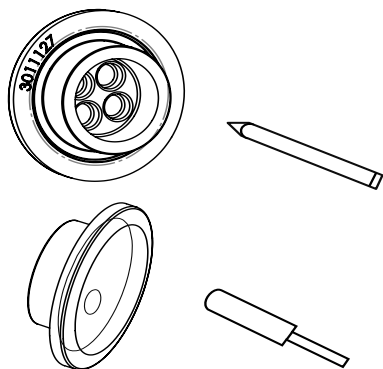
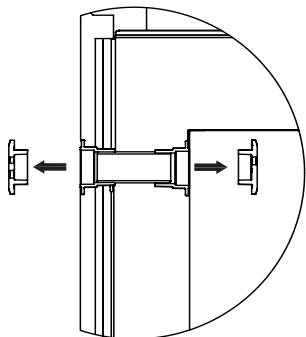
Remarque!

Le système de batterie de secours n'alimente pas le système de refroidissement. Lors du premier démarrage de l'appareil, il est nécessaire d'activer le système de batterie de secours.

Remarque!

La batterie de secours devrait être remplacée toutes les trois années pour assurer 48 heures de secours. Veuillez ajouter cette activité aux trois années dans le calendrier de maintenance.

Trou de passage

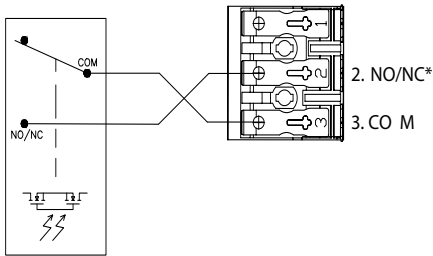


Les trous de passage sont utilisés pour faire passer la sonde de température dans l'appareil.

1. Retirez les deux bouchons en caoutchouc.
2. Appuyez un crayon à travers les marques à l'intérieur des bouchons en caoutchouc.
3. Faites passer la sonde externe à travers le trou de passage dans le même sens que la flèche visible sur les illustrations à gauche ou comme décrit ci-dessous.
4. Faites passer la sonde à travers le bouchon extérieure en caoutchouc
5. Insérez ensuite la sonde dans le cylindre en mousse à l'intérieur du trou de passage.
6. Insérez ensuite la sonde à travers le bouchon intérieur en caoutchouc.
7. Fixez la sonde à l'aide de l'attache de câble.

Fonction d'alarme à distance

Fig. Contrôleur interne avec relais d'alarme intégré



*) Configuré par le menu de réglages.

Votre appareil est équipé d'une connexion d'alarme à distance pour envoyer des signaux d'alarme à une système de gestion de bâtiment, à une unité de surveillance, à un dispositif d'avertissement visuel ou acoustique, etc.

La sortie d'alarme est gérée par le contrôleur intégré de l'appareil.

Les critères d'alarme peuvent être une température trop basse, une température trop élevée, une panne de courant, une porte ouverte ou similaire.

La sortie d'alarme est un relais électrique, qui agit comme un interrupteur ON/OFF.

Un relais OptoMOS avec une valeur de commutation maximale de 60V 3A est maintenu par le contrôleur intégré. Le relais peut être réglé sur normalement ouvert ou normalement fermé dans le menu de réglages.

Les bornes de relais sont expliquées comme suit :

COM : borne COMMUNE

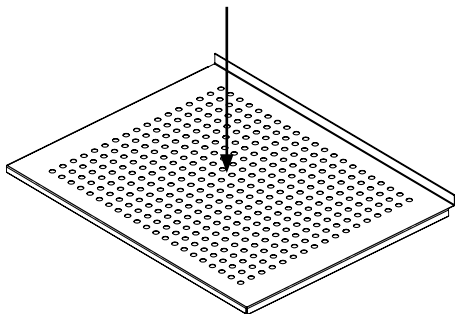
NO/NC : borne NORMALEMENT OUVERTE/ NORMALEMENT FERMÉE. La position normale est réglée dans le menu de réglages.

Un câble d'interface d'alarme de 30 mètres maximum peut être fixé sans utiliser d'outils au connecteur de serrage d'alarme à 3 pôles.

L'épaisseur du fil doit être entre 0,5 mm² et 2,5 mm³ et être équipée de bornes à sertir.



AJUSTEMENT INTÉRIEUR

Max. 36 kg






CONTRÔLEUR

PAGE DE L'ASSISTANT




VESTFROST <small>SOLUTIONS</small>	
ASSISTANT DE CONFIGURATION	
	
SÉLECTIONNEZ LA LANGUE	
SUIVANT	

Lors du premier démarrage de l'appareil ou après avoir effectué une réinitialisation avec des valeurs par défaut, un assistant de configuration est affiché. Grâce à quelques réglages, il vous permet de mettre en service l'appareil avec les réglages minimums pour son fonctionnement. À ce stade, il suffit de sélectionner :




- la langue de l'interface :

VESTFROST <small>SOLUTIONS</small>		
RÉGLEZ DATE ET HEURE:		
		
PRÉCÉDENT	DATE ET HEURE	SUIVANT

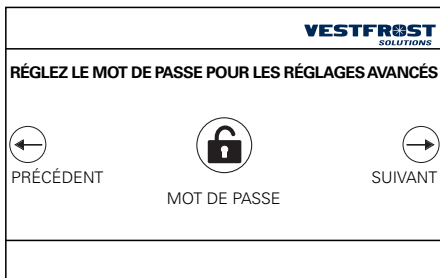
- la date et l'heure :

VESTFROST <small>SOLUTIONS</small>		
RÉGLEZ L'UNITÉ DE MESURE DE LA TEMPÉRATURE:		
		
PRÉCÉDENT	UNITÉ DE MESURE	SUIVANT

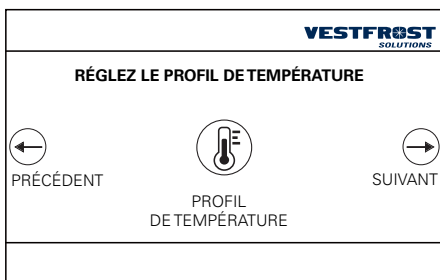
- l'unité de mesure de la température :

VESTFROST <small>SOLUTIONS</small>		
RÉGLEZ LE NOM DE L'APPAREIL		
		
PRÉCÉDENT	NOM DE L'APPAREIL	SUIVANT

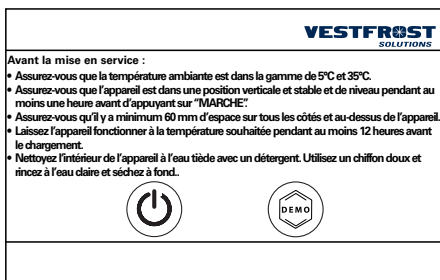
- le nom de l'appareil :



- le code de service :



- le profil de température souhaitée:



- recommandations d'usage et d'installation
et option pour activer l'appareil ou d'utiliser le
mode "DÉMO" :

LOCALISATION DES ANOMALIES

En cas d'anomalie	Causes possibles	Marche à suivre
L'écran du clavier n'est pas allumé.	Panne électrique; le fusible a grillé; l'appareil n'est pas branché correctement, l'alimentation est coupée.	Vérifiez que l'alimentation électrique est branchée. Remplacez le fusible.
La température de l'appareil est trop élevée.	<p>La grille d'aération est obstruée.</p> <p>La porte n'est pas fermée correctement.</p> <p>Le réglage de la température est trop élevé.</p>	<p>Assurez la libre circulation de l'air.</p> <p>Fermez la porte et attendez 15 min.</p> <p>Abaissez le réglage de la température.</p>
La température de l'appareil est trop basse.	Le réglage de la température est trop bas.	Augmentez le réglage de la température.
Vibration ou bruit désagréable.	L'appareil n'est pas de niveau.	Mettez l'appareil à niveau (pour les modèles avec des pieds réglables : Utilisez un niveau à bulle).
Le compresseur fonctionne sans arrêt.	<p>Le réglage de la température est trop bas.</p> <p>La température ambiante est trop élevée.</p>	<p>Augmentez le réglage de la température.</p> <p>Assurer une ventilation adéquate.</p>

MAINTENANCE

TÂCHE	Description	Fréquence			
		Trimes- triel	Annuel- lement	Tous les 3 ans	Au besoin
Le compartiment du compresseur et le condenseur doivent être exempts de poussière et de saleté.	1. Débranchez l'appareil de l'alimentation électrique. 3. Utilisez un aspirateur pour enlever la poussière et la saleté.	X			
Effectuez un étalonnage de la température.	Seul un technicien certifié doit effectuer l'étalonnage.		X		
Nettoyez le déclencheur de vide.	1. Un givrage excessif dans le déclencheur de vide peut restreindre le débit d'air. 2. Enlevez tout givre lâche à l'aide d'une brosse en nylon rigide. 3. Si du givre s'est accumulé dans le tuyau du déclencheur de vide, poussez à l'aide d'un bâton pour enlever le givre au dedans.				X
Dégivrez et nettoyez l'appareil pour éviter la formation de glace.	Dégivrage automatique: Le dégivrage du réfrigérateur se fait automatiquement. L'eau de dégivrage s'écoule dans un conduit et s'accumule dans un plateau au dessus du compresseur où la chaleur générée par le compresseur l'évaporera. Le plateau de l'eau de dégivrage doit être nettoyé en cas de besoin ou au moins une fois par an.				X
Remplacez la batterie de secours du contrôleur.	Seul un technicien certifié doit remplacer la batterie.			X	
Nettoyez l'intérieur et l'extérieur de l'appareil.	1. Utilisez de l'eau chaude (max. 65 °C) avec un détergent doux sans parfum et un chiffon doux. 2. Rincez à l'eau claire et séchez soigneusement. Remarque: Pour cet appareil, nous vous recommandons un désinfectant à base d'alcools et d'aldéhydes. Du chlore et des peracides peuvent également être utilisés, mais soyez conscients que les produits à base de ceux-ci peuvent affecter la surface des matériaux et donc un lavage minutieux avec l'eau claire et un essuyage après la désinfection sont très très importants.				X

INFORMATIONS GÉNÉRALES

Garantie, pièces de rechange et service après-vente

Exonération de garantie

Les pannes ou les dommages dûs directement ou indirectement à une utilisation incorrecte ou fautive, un entretien insuffisant, un encastrement, une mise en place ou un raccordement incorrect, un incendie, un accident, un impact de foudre, des variations de tension et tout autre dysfonctionnement électrique dû par exemple à des fusibles ou disjoncteurs défectueux, ou à des défauts du réseau d'alimentation électrique ne sont pas couverts par la garantie.

Dans le cas de réparations effectuées par des personnes autres que les réparateurs agréés par le distributeur du produit, et en termes généraux l'ensemble des pannes et dommages dont le fournisseur peut prouver qu'ils sont dûs à d'autres causes que des erreurs ou défauts de fabrication et de matériaux et qui, par conséquent, ne sont pas couverts par la garantie.

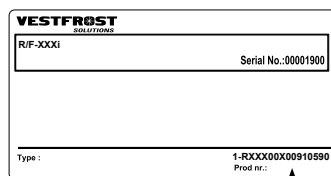
Veuillez noter que lorsqu'une intervention dans la construction ou d'une modification des composants de l'appareil a été faite, la garantie et la responsabilité du fournisseur cesse, et l'appareil ne peut pas être utilisé légitimement. L'autorisation figurant sur la plaque signalétique ne sera plus valable.

Les dommages dûs au transport et constatés chez le client sont à régler entre le client et le revendeur, ce qui signifie que ce-dernier doit s'assurer de la satisfaction du client.

Avant de faire appel au service après-vente, toujours contrôler les points énumérés dans la liste de recherche des pannes (voir ce point). Dans le cas où la cause de l'intervention demandée ressort de la responsabilité de la personne ayant fait appel au service après-vente, par exemple si la panne de l'appareil est due à un fusible grillé ou à une mauvaise utilisation, c'est cette personne qui devra régler les frais entraînés par cette intervention.

Pièces de rechange

Lors de la commande de pièces de rechange, indiquez le type, le numéro de série et le numéro de produit de l'appareil. Ces renseignements se trouvent sur la plaque signalétique au dos de l'appareil. La plaque signalétique renferme plusieurs informations techniques, dont les numéros de type et de série.



Numéro de produit

MISE AU REBUT

Avis aux utilisateurs concernant la collecte et l'élimination des piles et des appareils électriques et électroniques usagés.



Apposé sur le produit lui-même, sur son emballage, ou figurant dans la documentation qui l'accompagne, ce pictogramme indique que les piles et appareils électriques et électroniques usagés doivent être séparés des ordures ménagères. Afin de permettre le traitement, la valorisation et le recyclage adéquats des piles et des appareils usagés, veuillez les porter à l'un des points de collecte prévus, conformément à la législation nationale en vigueur ainsi qu'aux directives 2012/96/UE et 2006/66/CE.

En éliminant piles et appareils usagés conformément à la réglementation en vigueur, vous contribuez à prévenir le gaspillage de ressources précieuses ainsi qu'à protéger la santé humaine et l'environnement contre les effets potentiellement nocifs d'une manipulation inappropriée des déchets.

Pour de plus amples renseignements sur la collecte et le recyclage des piles et appareils usagés, veuillez vous renseigner auprès de votre mairie, du service municipal d'enlèvement des déchets ou du point de vente où vous avez acheté les articles concernés.

Le non-respect de la réglementation relative à l'élimination des déchets est passible d'une peine d'amende.



Pour les utilisateurs professionnels au sein de l'Union européenne

Si vous souhaitez vous défaire de pièces d'équipement électrique ou électronique, veuillez vous renseigner directement auprès de votre détaillant ou de votre fournisseur.

Information relative à l'élimination des déchets dans les pays extérieurs à l'Union européenne

Ce pictogramme n'est valide qu'à l'intérieur de l'Union européenne. Pour supprimer ce produit, contactez les autorités locales ou votre revendeur afin de connaître la procédure d'élimination à suivre.



Note relative au pictogramme à apposer sur les piles

Le pictogramme représentant une poubelle sur roues barrée d'une croix est conforme à la réglementation. Si ce pictogramme est combiné avec un symbole chimique, il remplit également les exigences posées par la Directive relative au produit chimique concerné.

REMARQUE:

Il est très important de démonter la porte avant de jeter l'appareil. Ceci pour éviter tout accident par des enfants jouant avec l'appareil et la porte.



Revision date: 10-11-2022

Drawing no.: 8060948 rev 03