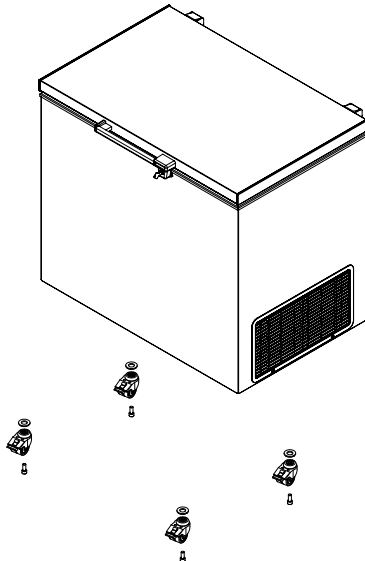
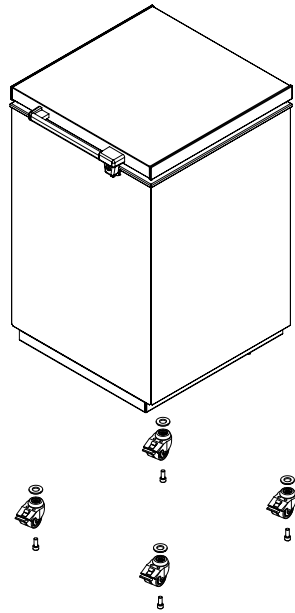
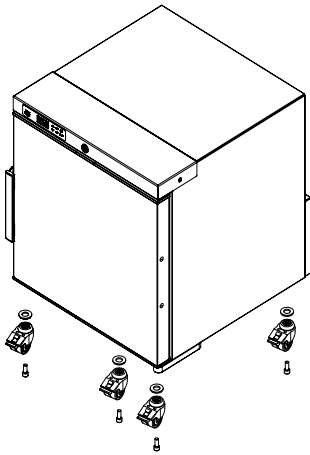


## MOUNTING THE WHEELS





# CONTENTS

**MOUNTING THE WHEELS** R-90, R-90i, R-138, R-138i, R-427, R-437i, R-90, R-90i, R-138, R-138i, R-427, R-437i . . . . . 4

**MOUNTING THE WHEELS** ULTF-C198I, ULTF-C296I, ULTF-C383I, VT146, VT206, VT306, VT406 VT147, VT207, VT307, VT407, VT547, VT208, VT308, VT408, . . . . . 6

**MOUNTING THE WHEELS** ULTF-C74I, VT74, VT75, VT76, VT78 . . . . . 8

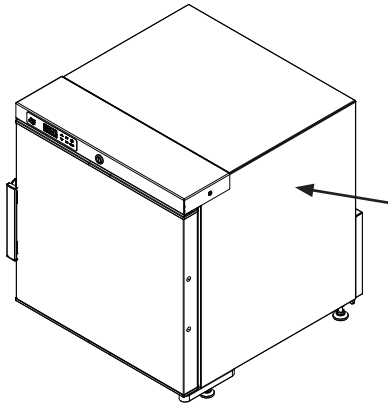
## MOUNTING THE WHEELS R-90, R-90i, R-138, R-138i, R-427, R-437i, R-90, R-90i, R-138, R-138i, R-427, R-437i

**Follow the instructions carefully.**

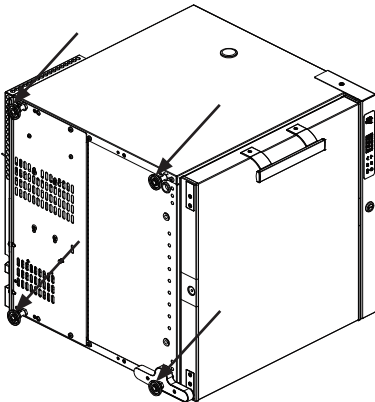
**NOTE: Before you start:**

1. Disconnect the unit from the main grid.
2. Lock the unit to prevent the door from opening when the unit is placed on its side

To avoid damage, place some soft padding under the unit

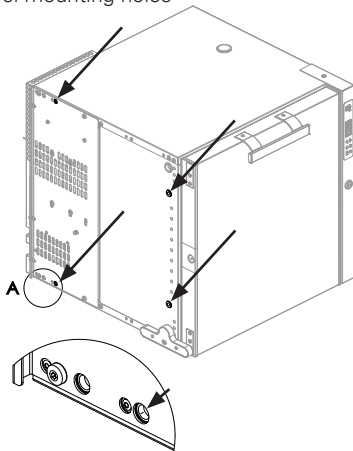


Place the appliance on its right side seen from the front (preferably on a soft surface)

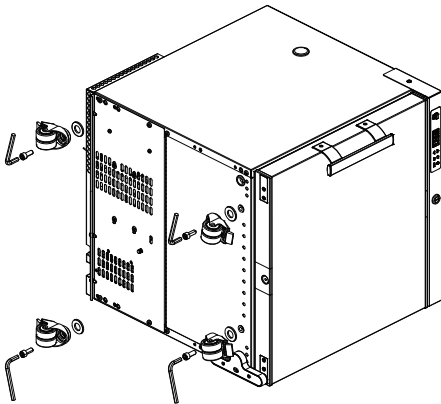


Remove all 4 feet using a spanner/wrench

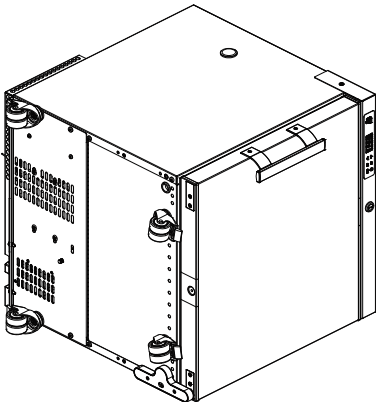
Wheel mounting holes



Note : Wheel mounting holes are different from the holes used for the feet

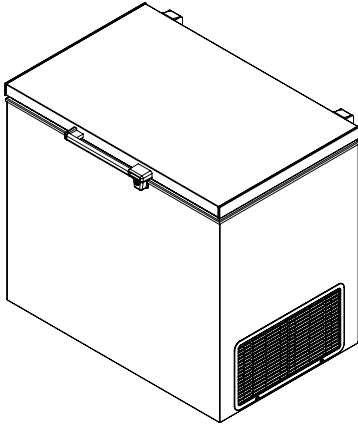


To attach the wheels, use the 8-mm hex key to tighten the screws



**Attention:**  
After setting the unit upright, you must wait at least 3 hours before connecting the unit to power for the cooling circuit to work correctly.

## MOUNTING THE WHEELS ULTF-C198I, ULTF-C296I, ULTF-C383I, VT146, VT206, VT306, VT406 VT147, VT207, VT307, VT407, VT547, VT208, VT308, VT408,



Before being able to install and use the unit you must attach the 4 wheels supplied in the box.

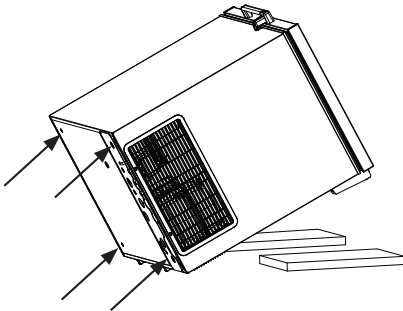
Follow the instructions carefully.

NOTE: Before you start:

Disconnect the unit from the main grid.

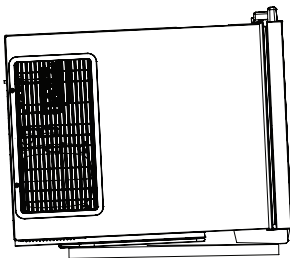
Lock the unit to prevent the lid from opening when the unit is placed on its back.

To avoid damage, place some soft padding under the unit.

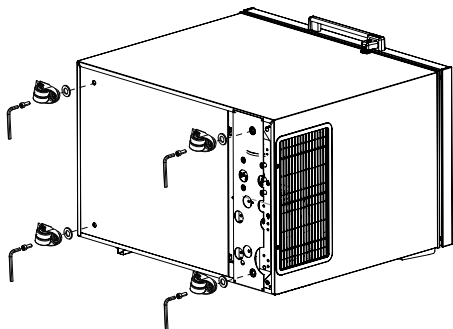


Wheel mounting holes

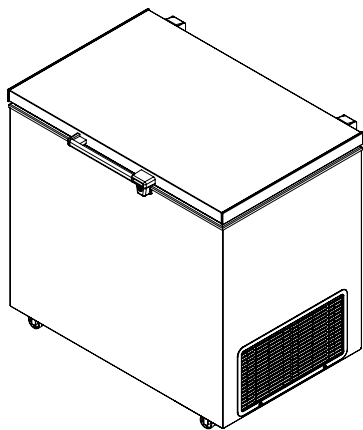
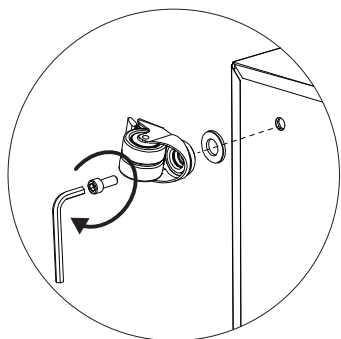
Place the unit on its back.



To avoid damage place a soft bedding under the unit (e.g. the packaging) and then tip the unit.

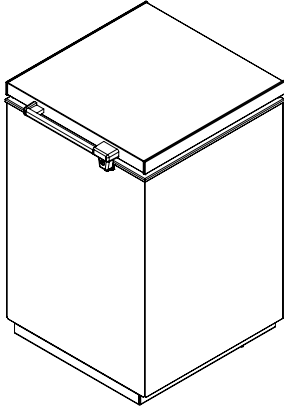


To attach the wheels, use the 8-mm hex key to tighten the screws.



**Attention:**  
After setting the unit upright, you must wait at least 3 hours before connecting the unit to power for the cooling circuit to work correctly.

## MOUNTING THE WHEELS ULTF-C74I, VT74, VT75, VT76, VT78



Before being able to install and use the unit you must attach the 4 wheels supplied in the box.

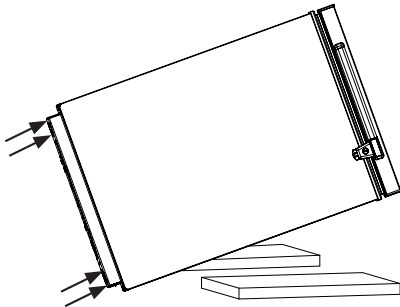
Follow the instructions carefully.

NOTE: Before you start:

Disconnect the unit from the main grid.

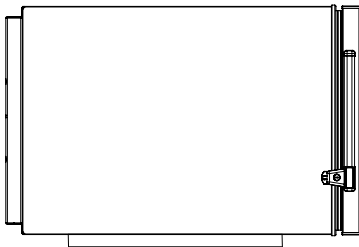
Lock the unit to prevent the lid from opening when the unit is placed on its back.

To avoid damage, place some soft padding under the unit.



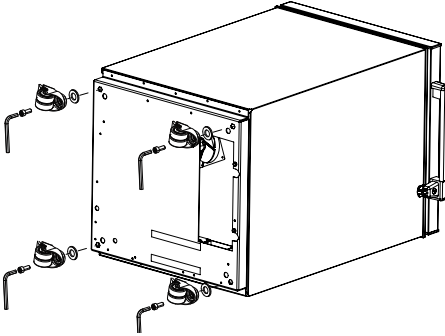
Wheel mounting holes

Place the unit on its side.

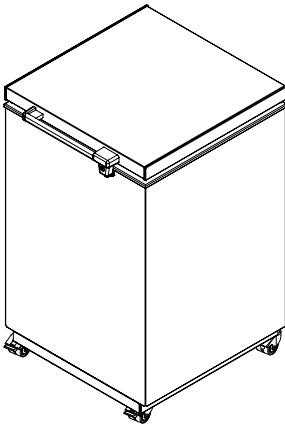
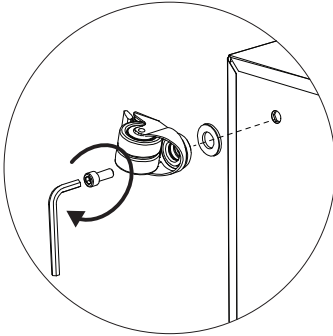


To avoid damage place a soft bedding under the unit (e.g. the packaging) and then tip the unit.





To attach the wheels, use the 8-mm hex key to tighten the screws.



**Attention:**

**After setting the unit upright, you must wait at least 3 hours before connecting the unit to power for the cooling circuit to work correctly.**







Revision date: 11-01-2021  
Drawing no.: 8181279 rev 01